

DO NOT SCALE DRAWING

CAD FILE NO. S6721002.S01

SIMILAR ITEM

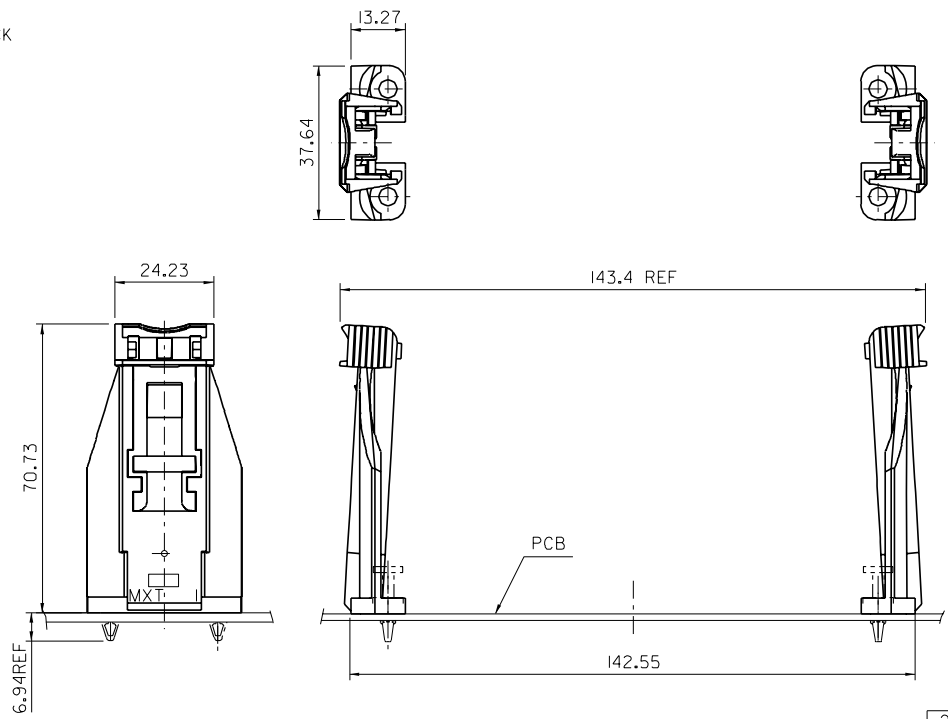
EDP NO.

ENG. NO SEE CHART

8      7      6      5      4      3      2      1

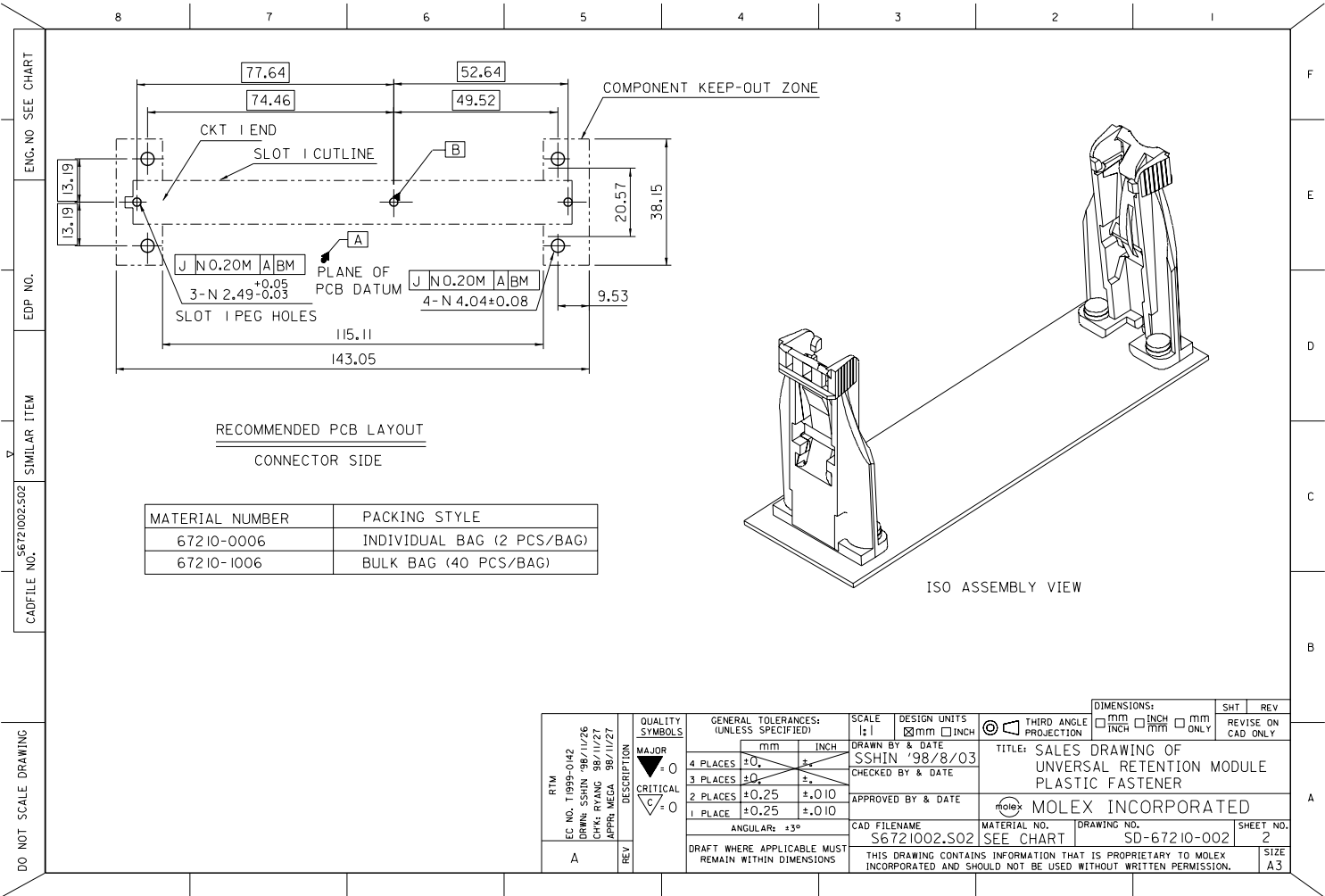
NOTE:

1. MATERIAL :  
 HOUSING : POLYCARBONATE    COLOR : BLACK  
 FASTENER PIN : NYLON  
 FASTENER BODY : NYLON
2. PRODUCT SPECIFICATION : NONE.
3. SEE SHEET 2 FOR PC BOARD PATTERN AND ISOMETRIC ASSEMBLY VIEW.



2	A
1	A
SHT	REV

RTM EC NO. T1999-0 H42 DRWN: SSHIN '98/11/26 CHK: RYANG '98/11/27 APPR: MEGA '98/11/27	QUALITY SYMBOLS	GENERAL TOLERANCES: (UNLESS SPECIFIED)	SCALE 1:1	DESIGN UNITS <input checked="" type="checkbox"/> mm <input type="checkbox"/> INCH	THIRD ANGLE PROJECTION	DIMENSIONS: <input type="checkbox"/> mm <input type="checkbox"/> INCH <input type="checkbox"/> mm ONLY	REVISE ON CAD ONLY
	MAJOR -0	4 PLACES ±0.1	mm	INCH	DRAWN BY & DATE SSHIN '98/8/03	TITLE: SALES DRAWING OF UNIVERSAL RETENTION MODULE PLASTIC FASTENER	
	CRITICAL -0	3 PLACES ±0.1			CHECKED BY & DATE	MOLEX INCORPORATED	
	DESCRIPTION	2 PLACES ±0.25 ±.010			APPROVED BY & DATE	CAD FILENAME S6721002.S01	DRAWING NO. SD-67210-002
REV A	1 PLACE ±0.25 ±.010	ANGULAR: ±3°	DRAFT WHERE APPLICABLE MUST REMAIN WITHIN DIMENSIONS		THIS DRAWING CONTAINS INFORMATION THAT IS PROPRIETARY TO MOLEX INCORPORATED AND SHOULD NOT BE USED WITHOUT WRITTEN PERMISSION.		SIZE A3



MATERIAL NUMBER	PACKING STYLE
67210-0006	INDIVIDUAL BAG (2 PCS/BAG)
67210-1006	BULK BAG (40 PCS/BAG)

RTM EC NO. T1999-0142 DRWN. SSHIN '98/11/26 CHK. RYANG '98/11/27 APPR. MEGA '98/11/27	QUALITY SYMBOLS	GENERAL TOLERANCES: (UNLESS SPECIFIED)	SCALE 1:1	DESIGN UNITS <input checked="" type="checkbox"/> mm <input type="checkbox"/> INCH	THIRD ANGLE PROJECTION <input checked="" type="checkbox"/> <input type="checkbox"/>	DIMENSIONS: <input type="checkbox"/> mm <input type="checkbox"/> INCH <input type="checkbox"/> mm ONLY	SHT	REV
	MAJOR $\nabla$ 0	4 PLACES $\pm 0.1$ mm $\pm .005$ INCH	DRAWN BY & DATE SSHIN '98/8/03	APPROVED BY & DATE	TITLE: SALES DRAWING OF UNIVERSAL RETENTION MODULE PLASTIC FASTENER			
	CRITICAL $\nabla$ 0	3 PLACES $\pm 0.2$ mm $\pm .008$ INCH	CHECKED BY & DATE	MOLEX INCORPORATED		MATERIAL NO. SEE CHART	DRAWING NO. SD-67210-002	SHEET NO. 2
	REV	2 PLACES $\pm 0.25$ mm $\pm .010$ INCH	ANGULAR $\pm 3^\circ$	CAD FILENAME S6721002.S02	THIS DRAWING CONTAINS INFORMATION THAT IS PROPRIETARY TO MOLEX INCORPORATED AND SHOULD NOT BE USED WITHOUT WRITTEN PERMISSION.		SIZE A3	