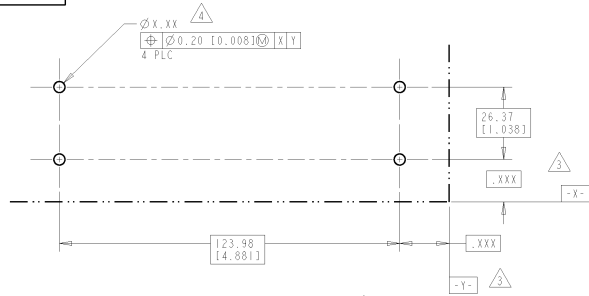
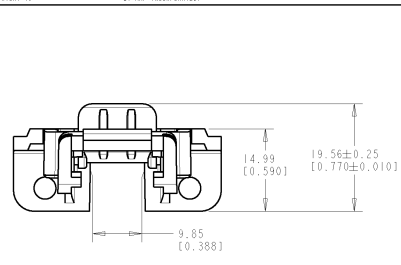
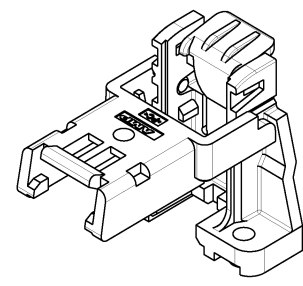
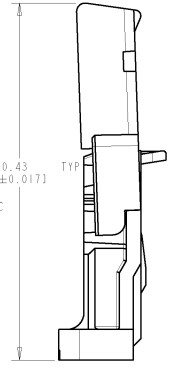
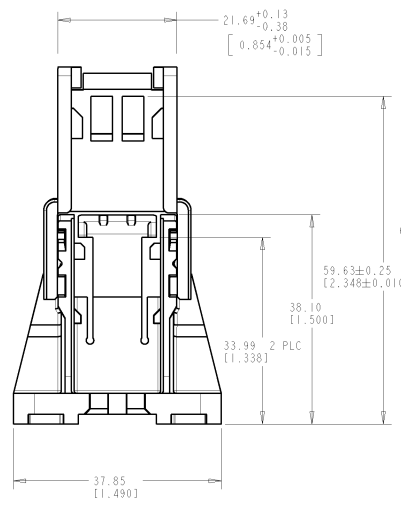


REV	DATE	DESCRIPTION	BY	CHKD	APPROV
0		RELEASED	TSJEPAB	RB	EL
A		REVISED PER 0051-0241-98	ZWCHAB	RB	EL

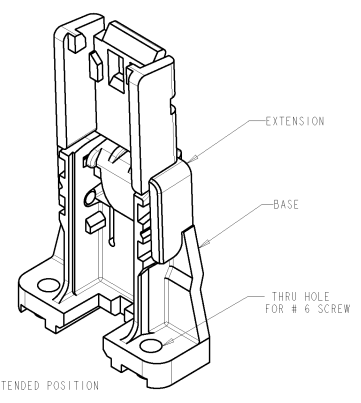


RECOMMENDED PC BOARD LAYOUT SCALE 1:1

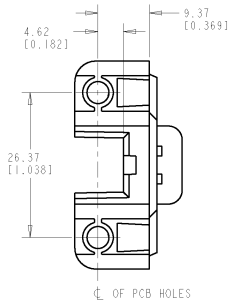
- △ ALL COMPONENTS - UL 94-V0 RATED POLYCARBONATE, BLACK.
- △ RECOMMENDED PC BOARD THICKNESS OF 1.57±0.151.062±.0061.
- △ DATUM AND BASIC DIMENSIONS ESTABLISHED BY CUSTOMER.
- △ HOLE DIAMETER DIMENSION ESTABLISHED BY CUSTOMER
- △ BULK PACKAGED IN PARTITIONED BOXES IN THE EXTENDED POSITION
- △ EACH PROCESSOR INSTALLATION REQ'S TWO RETENTION MODULES.



FOLDED POSITION



EXTENDED POSITION



CL OF PCB HOLES

2 MODULES WITH THRU HOLES	145382-2
1 MODULE WITH THRU HOLES	145382-1
DESCRIPTION	PART NUMBER

<small>THIS DRAWING IS A PROPERTY OF AMP INCORPORATED. IT IS TO BE KEPT IN CONFIDENCE AND THE CONTENTS HEREOF ARE NOT TO BE REPRODUCED OR TRANSMITTED IN ANY FORM OR BY ANY MEANS, ELECTRONIC OR MECHANICAL, INCLUDING PHOTOCOPYING, RECORDING, OR BY ANY INFORMATION STORAGE AND RETRIEVAL SYSTEM, WITHOUT PERMISSION IN WRITING FROM AMP INCORPORATED.</small>		ENG. R. BROWN 15SEP98 CHK. E. LOTTER 15SEP98 DTD. V. BLUMINSKY 15SEP98	AMP Incorporated Harrisburg, PA 17105-3400
DIMENSIONS: mm (INCHES)	ADVISORIES: DIMENSIONS IN PARENTHESES ARE FOR REFERENCE ONLY.	TITLE: UNIVERSAL RETENTION MODULE ASSEMBLY KIT, THRU HOLE PART NO.: 108-1826 APPLICATION SPEC: - WEIGHT: - MATERIAL: - FINISH: -	SIZE: A CASE CODE: 100779 DRAWING NO.: 145382 RESTRICTED TO: - SHEET: 1 OF 1 REV: A
CUSTOMER DRAWING		SCALE: 2:1	