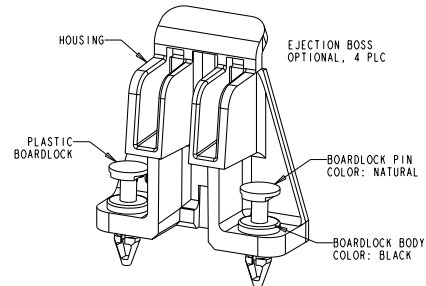
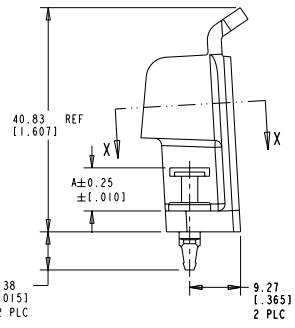
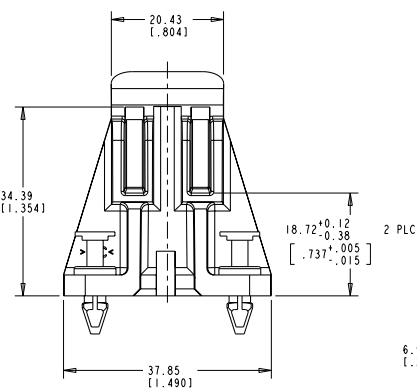
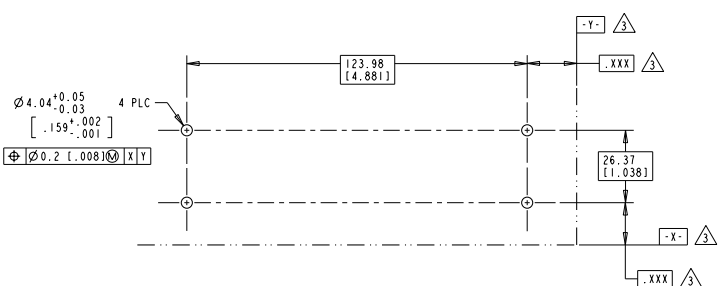
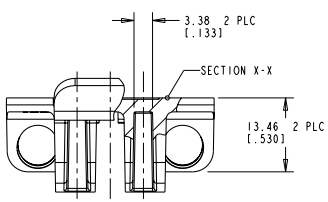
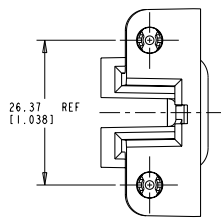


REV	DATE	BY	CHKD	DESCRIPTION
A	15MAY98	AV	VR	REVISED PER EC 0651-0060-98
B	16JUL98	AV	VR	REVISED PER EC 0651-0114-98
C	09DEC99	JG	MB	REVISED PER EC 0518-0129-99
C1	10DEC2009	KK	AEG	REVISED PER ECO-09-027197



MODULE

- ▲ MATERIAL:  
HOUSING- UL 94-V0 RATED POLYCARBONATE. COLOR: BLACK.  
PLASTIC BOARDLOCK- NYLON.
- ▲ RECOMMENDED PC BOARD THICKNESS OF 1.57±0.15[.062±.006].
- ▲ DATUM AND BASIC DIMENSIONS ESTABLISHED BY CUSTOMER.
- ▲ 145333-1 IS COMPLETE 2 MODULE KIT, REQUIRED FOR ONE PROCESSOR.
- ▲ 145333-2 IS ONLY ONE MODULE, 2 MODULES ARE REQUIRED FOR ONE PROCESSOR.
- ▲ OBSOLETE PARTS: OBSOLETE C1S STREAMLINING PER D.RENAUD/D.SINISI



QTY	DESCRIPTION	PART NUMBER
9.50[.374]	1 MODULE WITH BOARDLOCKS	145333-3
7.85[.309]	1 MODULE WITH BOARDLOCKS	145333-2
7.85[.309]	2 MODULES WITH BOARDLOCKS	145333-1

DIMENSIONS: mm( INCHES )		TOLERANCES UNLESS OTHERWISE SPECIFIED: 0 PLC ±.01 1 PLC ±.015 2 PLC ±.02 3 PLC ±.03 4 PLC ±.04 ANGLES ±.1°		DATE: 22APR98 CHK: A. VASRINDER APP: V. SUMINSKI PRODUCT SPEC: 108-1826 APPLICATION SPEC: 114-26015	AMP Incorporated Harrisburg, PA 17105-3608
MATERIAL:		WEIGHT:		SIZE: A2 CASE CODE: 00779 DRAWING NO: 145333	RESTRICTED TO:
CUSTOMER DRAWING		SCALE: 2:1		SHEET 1 OF 1 REV C1	

145333