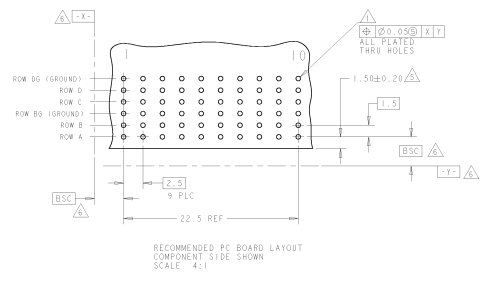
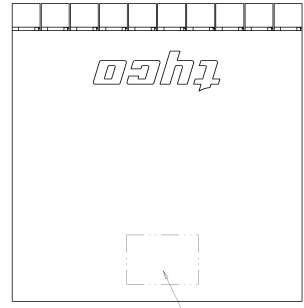
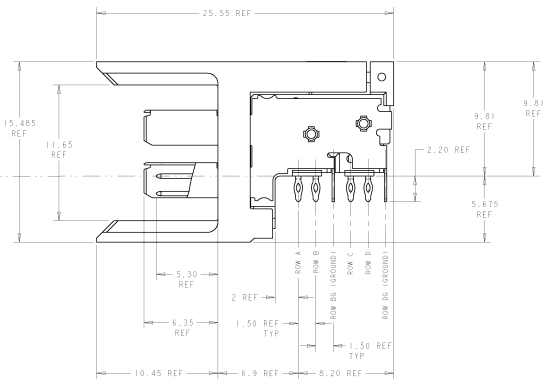
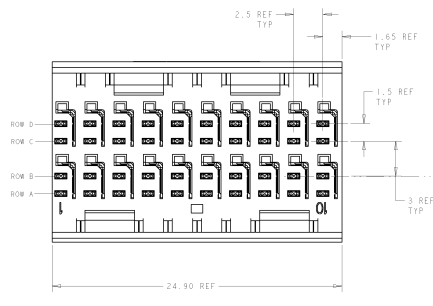


DATE MANUFACTURED	REVISED FOR	DATE
00	BY TOSH ELECTRONICS CORPORATION, ALL RIGHTS RESERVED	

REV	DATE	DESCRIPTION	BY	CHK	APP
00					
01		RELEASED PER 6012-0324-04			
01		REV PER ECO-06-007494			



- △ REFERENCE APPLICATION SPEC 114-13059 FOR RECOMMENDED PLATED THRU HOLE DIAMETER AND PLATING THICKNESSES.
- △ MATERIAL: CONTACT & SHIELD - PHOSPHOR BRONZE HOUSING & CHICKLET - GLASS FILLED POLYESTER
- △ FINISH: CONTACT & SHIELD - 0.76µm MIN GOLD OVER 1-2µm MIN NICKEL IN MATING AREA, 0.5µm MIN TIN OVER 1.27µm MIN NICKEL IN COMPLIANT PIN AREA.
- △ CONNECTOR MARKED WITH PART NUMBER AND DATE CODE IN APPROXIMATE AREA SHOWN
- △ DIMENSION APPLIES TO CENTERLINE OF THRU HOLE
- △ DATUMS AND BASIC DIMENSIONS ESTABLISHED BY CUSTOMER
- 1. CONTACT AREA LUBRICATED WITH BELLECORE APPROVED LUBRICANT. TECHNICAL REFERENCE: GR-1217-CORE, ISSUE 1, NOVEMBER 1995



649189-1
PART NUMBER

DATE MANUFACTURED: 07 JUL 2004 BY: TOSH ELECTRONICS CORPORATION ALL RIGHTS RESERVED		Tyco Tyco Electronics Harrisburg, PA 17105-1800	
PART NUMBER: 649189-1 DATE CODE: 00778 CUSTOMER DRAWING:		DESCRIPTION: HEADER ASSEMBLY, RIGHT ANGLE, 2 PAIR, COPLANAR, HM24	