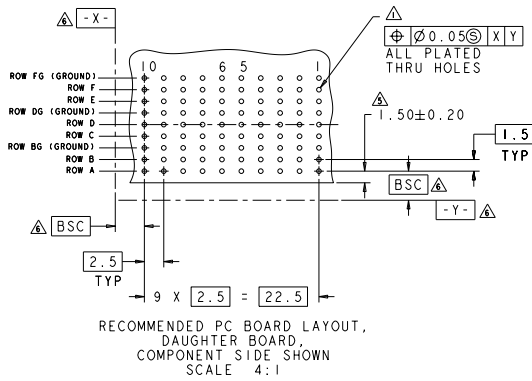
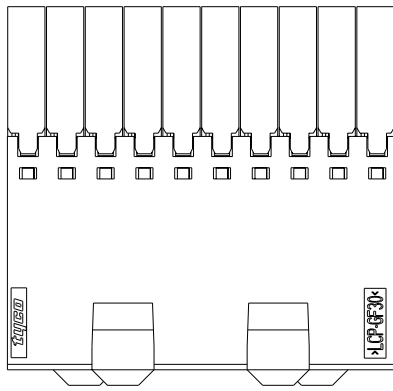
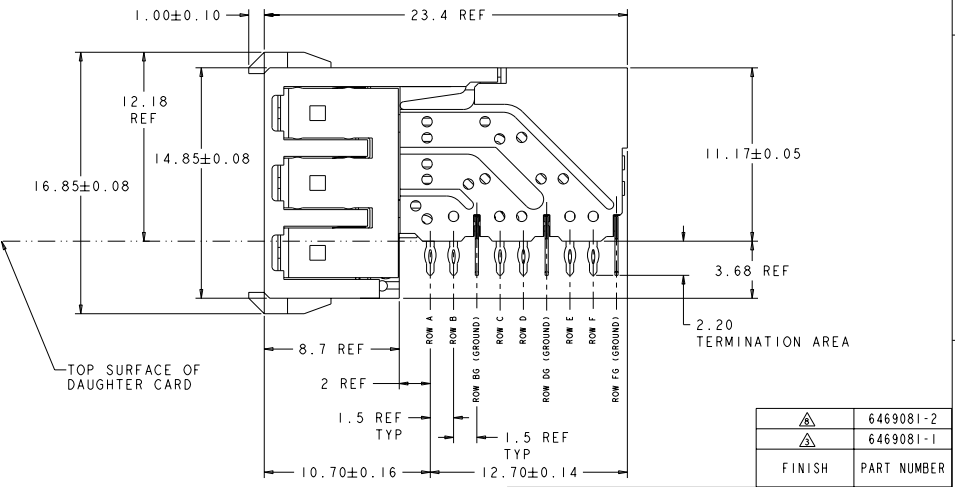
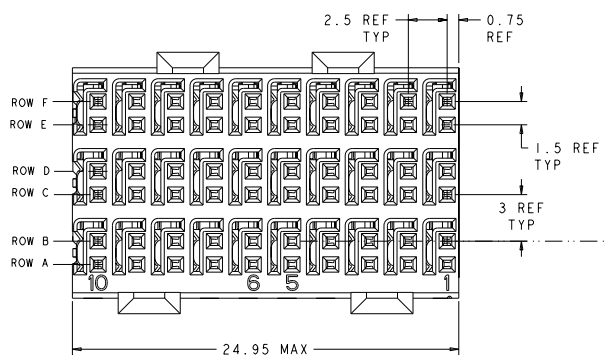


REVISORS		DATE	BY	APP
0	RELEASED PER 8512-0324-04	11/08/94	SJM	BAP
A	REV PER ECO-97-810882	1/08/98	DC	BP
A1	REV PER ECO-98-023768	09/09/98	DC	JC



- △ REFERENCE APPLICATION SPEC 114-13059 FOR RECOMMENDED PLATED THRU HOLE DIAMETER AND PLATING THICKNESSES.
- △ MATERIAL:  
SHIELD - PHOSPHOR BRONZE  
CONTACT - COPPER-NICKEL-SILICON  
HOUSING, CHICKLET AND CHICKLET COVER - GLASS FILLED POLYESTER, UL 94V-0 RATED.
- △ FINISH: CONTACT AND SHIELD  
MATING AREA - 0.76µm MIN GOLD OVER 1.27µm MIN NICKEL  
COMPLIANT PIN AREA - 0.5µm MIN TIN OVER 1.27µm MIN NICKEL
- △ CONNECTOR MARKED WITH PART NUMBER AND DATE CODE IN APPROXIMATE AREA SHOWN.
- △ DIMENSION APPLIES TO CENTERLINE OF THRU HOLE
- △ DATUMS AND BASIC DIMENSIONS ESTABLISHED BY CUSTOMER
- 7. CONTACT AREA LUBRICATED WITH BELLCORE APPROVED LUBRICANT. TECHNICAL REFERENCE: GR-1217-CORE, ISSUE 1, NOVEMBER 1995.
- △ FINISH: CONTACT AND SHIELD  
MATING AREA - 1.27µm MIN GOLD OVER 1.27µm MIN NICKEL  
COMPLIANT PIN AREA - 0.5µm MIN TIN OVER 1.27µm MIN NICKEL



△	6469081-2
△	6469081-1
FINISH	PART NUMBER

DATE: 28 JUN 2004	TIME ELECTRONICS
DESIGNED BY: J. PATTERSON	MARKETING: PA 17185-3600
APPROVED BY: J. PATTERSON	RECEPTACLE ASSEMBLY, 3 PAIR, 25mm, HM2d
STATE: CA	CUSTOMER DRAWING
SCALE: 2:1	DATE: 00778 ©-6469081