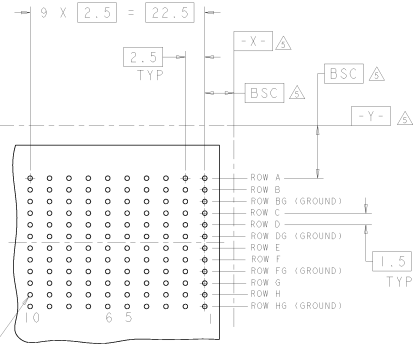
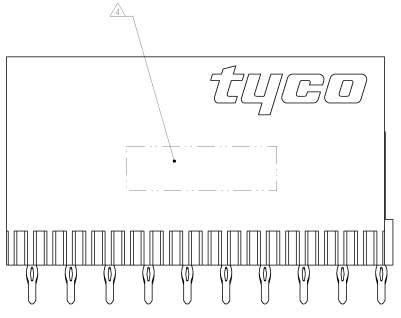
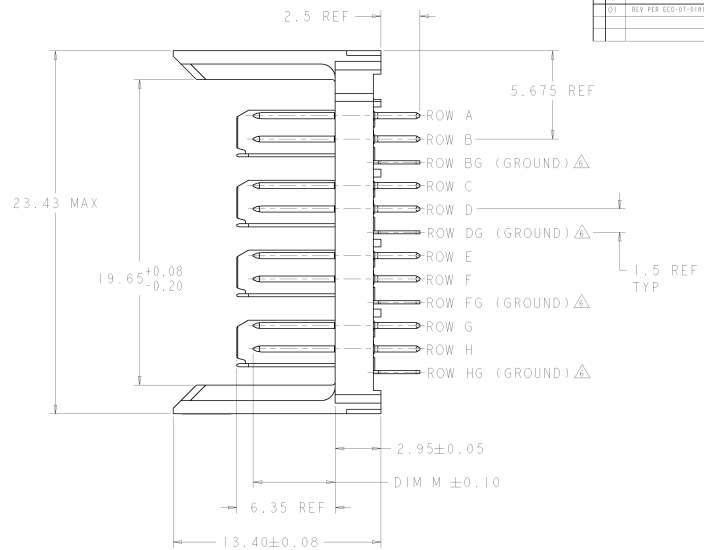
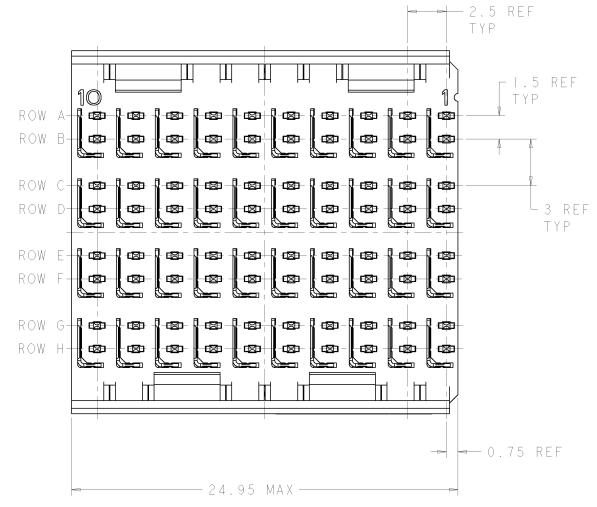


8	7	6	5	4	3	2	1
APPROVED FOR RELEASE		REVISIONS FOR IDENTIFICATION		DATE		REVISED BY	
BY: [Signature]		BY: [Signature]		DATE		REVISED BY	

REVISIONS			
REV	DATE	DESCRIPTION	BY
0		RELEASED PER 6312-0324-04	
01		REV PER ECO-01-010141	



⊕ ⌀0.05 ⊗ X Y
ALL PLATED THRU HOLES

RECOMMENDED PC BOARD LAYOUT, BACKPLANE, COMPONENT SIDE SHOWN SCALE 4:1

- △ REFERENCE APPLICATION SPEC 114-13059 FOR RECOMMENDED PLATED THRU HOLE DIAMETER AND PLATING THICKNESSES.
- △ MATERIAL: CONTACT AND SHIELD - PHOSPHOR BRONZE HOUSING - GLASS FILLED POLYESTER, UL 94V-0.
- △ FINISH: CONTACT AND SHIELD MATING AREA - 0.76µm MIN GOLD OVER 1.27µm MIN NICKEL COMPLIANT PIN AREA - 0.5µm MIN TIN OVER 1.27µm MIN NICKEL
- △ CONNECTOR MARKED WITH PART NUMBER AND DATE CODE.
- △ DATUMS AND BASIC DIMENSIONS ESTABLISHED BY CUSTOMER.
- △ THE FOUR GROUNDS IN EACH COLUMN ARE COMMONED.
- 7. CONTACT AREA LUBRICATED WITH BELLCORE APPROVED LUBRICANT, TECHNICAL REFERENCE: GR-1217-CORE, ISSUE 1, NOVEMBER 1995.

3-80	6489002-2
5-30	6489002-1
DIM M PART NUMBER	

Tyco Electronics		Tyco Electronics	
3400 WILSON AVENUE		3400 WILSON AVENUE	
PHILADELPHIA, PA 19154-0001		PHILADELPHIA, PA 19154-0001	
DESCRIPTION	HEAD ASSEMBLY, 4 PAIR, 2.5mm TAIL, 25mm HWZd	DATE	000778
REVISION	A	DATE	000778
CUSTOMER DRAWING		DATE	000778