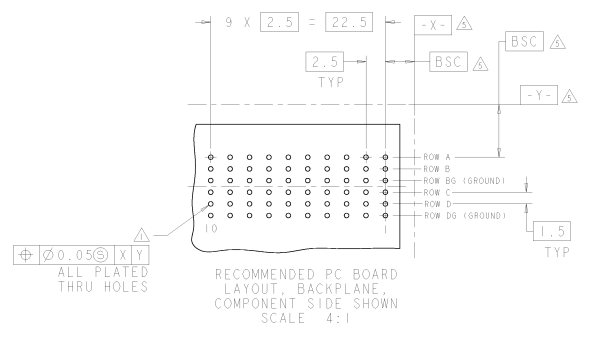
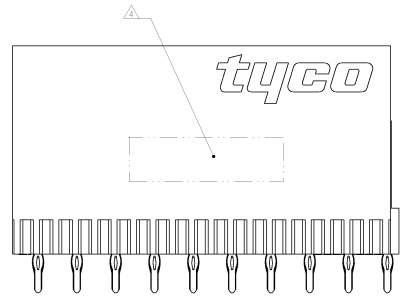
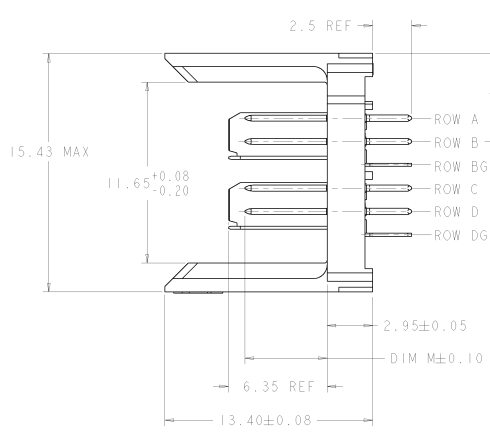
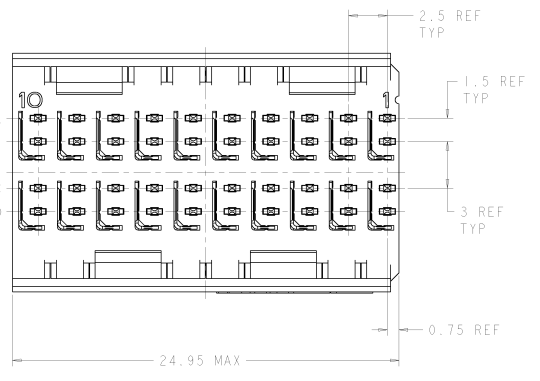


8	7	6	5	4	3	2	1
APPROVED FOR RELEASE		REVISIONS FOR IDENTIFICATION					
BY: TERRY ELECTRONICS CORPORATION, 8111 WILSON ROAD							

REVISIONS			
REV	DATE	DESCRIPTION	BY
00			
01		RELEASED PER 6312-0324-04	
02		REV PER ECO-01-010141	



- △ REFERENCE APPLICATION SPEC 114-13059 FOR RECOMMENDED PLATED THRU HOLE DIAMETER AND PLATING THICKNESSES.
- △ MATERIAL:
CONTACT AND SHIELD - PHOSPHOR BRONZE
HOUSING - GLASS FILLED POLYESTER, UL 94V-0.
- △ FINISH: CONTACT AND SHIELD
MATING AREA - 0.7µm MIN GOLD OVER 1.27µm MIN NICKEL
COMPLIANT PIN AREA - 0.5µm MIN TIN OVER 1.27µm MIN NICKEL
- △ CONNECTOR MARKED WITH PART NUMBER AND DATE CODE.
- △ DATUMS AND BASIC DIMENSIONS ESTABLISHED BY CUSTOMER.
- △ THE TWO GROUNDS IN EACH COLUMN ARE COMMONED.
- 7. CONTACT AREA LUBRICATED WITH BELLCORE APPROVED LUBRICANT, TECHNICAL REFERENCE: GR-1217-CORE, ISSUE 1, NOVEMBER 1995.

3-80	6469025-2
5-30	6469025-1
DIM M PART NUMBER	

Tyco Electronics		Tyco Electronics	
3000 WILSON ROAD		3000 WILSON ROAD	
MIDDLETOWN, PA 17057-0001		MIDDLETOWN, PA 17057-0001	
TEL: 717-853-6000		TEL: 717-853-6000	
FAX: 717-853-6001		FAX: 717-853-6001	
WWW.TYCOELECTRONICS.COM		WWW.TYCOELECTRONICS.COM	
ELECTRONIC PARTS		ELECTRONIC PARTS	
MATERIAL		MATERIAL	
PART NUMBER		PART NUMBER	
A 00778 6469025		A 00778 6469025	
CUSTOMER DRAWING		CUSTOMER DRAWING	

100% REV. 01/2000
P12/ENGINEER DRAWING