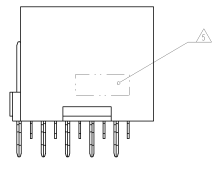
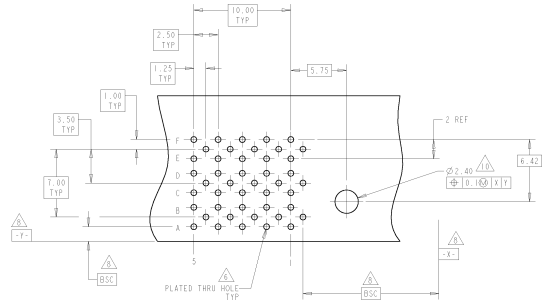
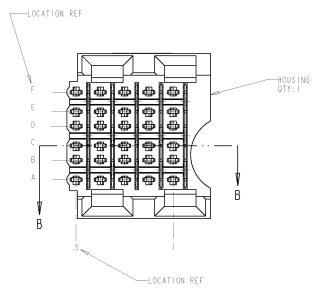
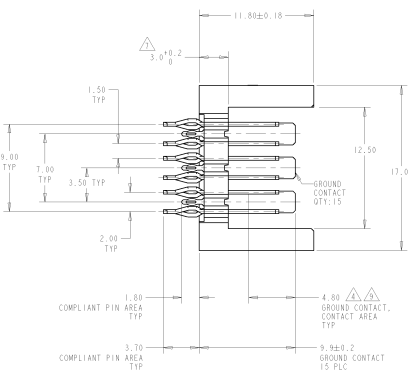
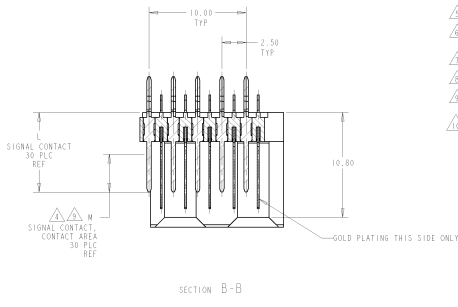


8	7	6	5	4	3	2	1
REVISIONS							
REV. NO.		DATE					
DESCRIPTION		BY					

REV. NO.	DATE	DESCRIPTION	BY	CHK	APP
00					

- ▲ PHOSPHOR BRONZE
- ▲ GLASS FILLED POLYESTER
- ▲ 0.75µm MIN GOLD OVER 1.27µm MIN NICKEL ON CONTACT AREA
- ▲ 0.75µm MIN TiN OVER 1.27µm MIN NICKEL ON COMPLIANT PIN AREA
- ▲ CONNECTOR MARKED WITH PART NUMBER AND DATE CODE
- ▲ REFERENCE APPLICATION SPEC 114-1300 FOR RECOMMENDED PLATED THRU HOLE DIAMETER AND PLATING THICKNESS.
- ▲ APPLICATION SEATING HEIGHT TO PRINTED CIRCUIT BOARD
- ▲ DATING AND BASIC DIMENSIONS ESTABLISHED BY CUSTOMER
- ▲ CONTACT AREA LUBRICATED WITH BELLCORE APPROVED LUBRICANT TECHNICAL REFERENCE: 05-1217-CORE, ISSUE 1, NOVEMBER 1995
- ▲ HOLE DIAMETER SHOULD BE 3.10 WHEN USING FEED THROUGH GUIDE PIN P/N 120759 CLEARANCE FOR A M3X0.5 THREAD



5.30	9.7	5120678-2
3.90	8.2	5120678-1
M	L	PART NUMBER

MANUFACTURER: AMP PART NUMBER: 5120678-1 DATE CODE: 0000		PART NUMBER: 5120678-1 DATE CODE: 0000		Amprobe Test Electronics Harrisburg, PA 17105-1808	
APPLICATION SPEC: 114-1300				PART NUMBER: 5120678-1 DATE CODE: 0000	
MATERIAL: PHOSPHOR BRONZE CONTACTS: SIGNAL CONTACT				CUSTOMER DRAWING: 5120678	