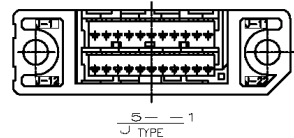
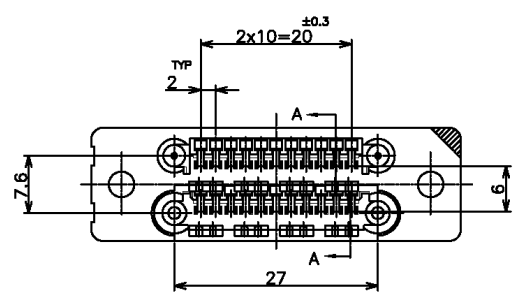
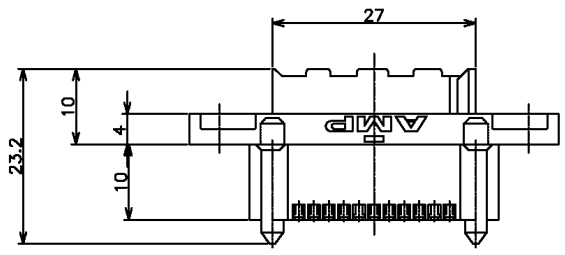
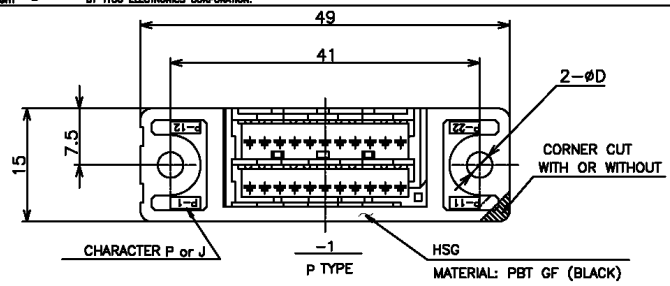


THIS DRAWING IS UNPUBLISHED. RELEASED FOR PUBLICATION  
 © COPYRIGHT BY TYCO ELECTRONICS CORPORATION. ALL RIGHTS RESERVED.

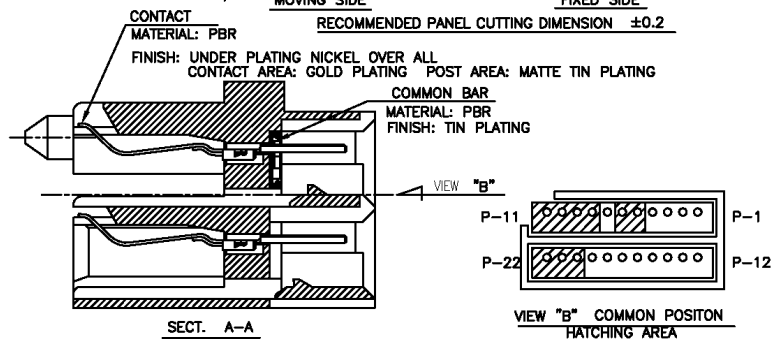
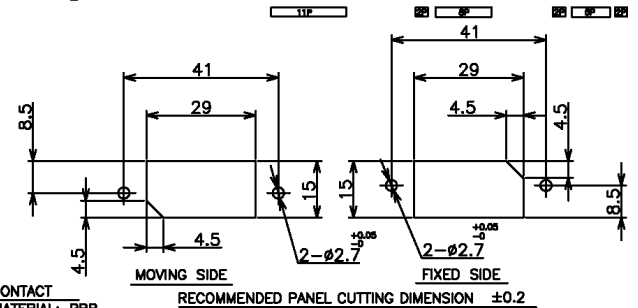
LOG	DIST	REVISIONS			
P	LTR	DESCRIPTION	DATE	DM	APD
ES	00	A REVISED FB00-0217-04	16DEC04	H.H	I.E

- NOTES:  
 1 APPLIED USED TAPPING SCREW P/N: 176848-1  
 2 MATING CONN. OF POST SIDE: AMP CT CONN. HAS FOLLOWING PATTERN



TOLERANCE

10 > *	±0.2
30 > * > 10	±0.25
100 > * > 30	±0.3
ANGLE	±3°



—H—	CUT	4.4	J	5-292178-1
—H—	WITH	3.4	P	292178-2
—H—	—H—	3.4	P	292178-1
COMMON TAB	CORNER CUT	d	HSG TYPE	P/N

THIS DRAWING IS A CONTROLLED DOCUMENT.

DIMENSIONS: MM	TOLERANCE UNLESS OTHERWISE SPECIFIED	DRN J. JIANG	OSFERBOS	Tyco Electronics Corporation Shanghai, P.R.China, 200233		
Ø	PLC	CHK S. YAO	OSFERBOS			
MATERIAL	FINISH	APD T. SASAKI	OSFERBOS	22P MINI-DRAWER CONNECTOR		
SEE SHEET	SEE SHEET	PRODUCT SPEC 108-60021	APPLICATION SPEC			
		WEIGHT	SIZE	CHG CODE	DRAWING NO	RESTRICTED TO
		CUSTOMER DRAWING	A3	00779	292178	—
		SCALE	NTS	SHEET	1 OF 1	REV A