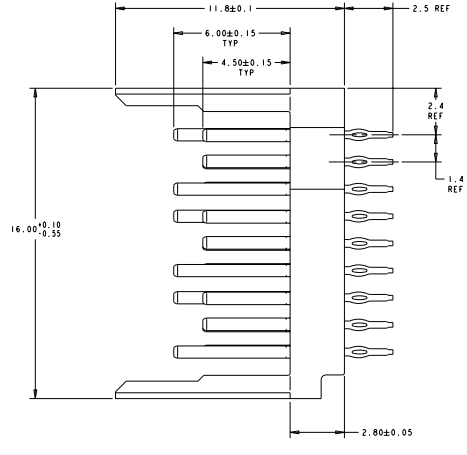
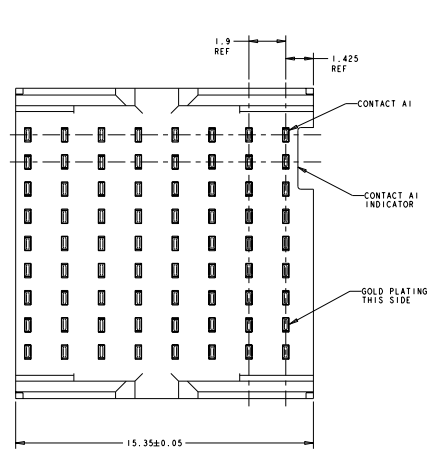
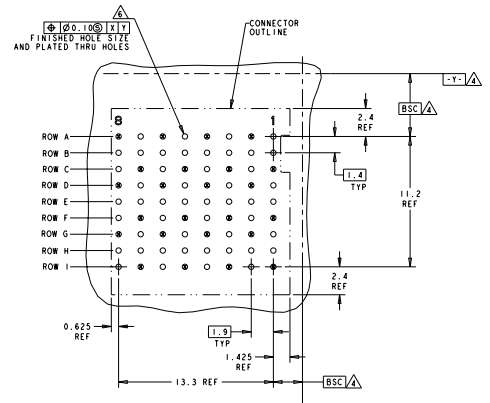
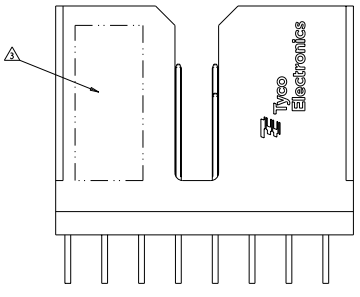


REV	DATE	DESCRIPTION	BY	CHK	APP
A	RELEASED		JWAGNER	BC	RP
B	REV PER ECO-99-018696		JWAGNER	BC	RP
C	REV PER ECO-99-018165		JWAGNER	BC	RP
D	REV PER ECO-99-023878		JWAGNER	BC	RP



- △ MATERIAL:
CONTACT - PHOS BRONZE
HOUSING - LCP, UL 94V-0, COLOR - BLACK
- △ FINISH: CONTACT
MATING AREA - 0.76µm MIN GOLD OVER 1.27µm MIN NICKEL
COMPLIANT PIN AREA - 0.5µm MIN MATTE TIN OVER 1.27µm MIN NICKEL
- △ CONNECTOR MARKED WITH PART NUMBER, DATE CODE AND STANDARD IN APPROXIMATE AREA SHOWN
- △ DATUMS AND BASIC DIMENSIONS ESTABLISHED BY
- 5. CONTACT AREA LUBRICATED WITH BELLCORE APPROVED LUBRICANT. TECHNICAL REFERENCE GR-1217-CORE, ISSUE 1, NOVEMBER 1995.
- △ REFERENCE APPLICATION SPEC 114-13202 FOR RECOMMENDED PLATED THRU HOLE DIAMETER AND PLATING THICKNESSES.



○ = SIGNAL
 ⊗ = GROUND
 RECOMMENDED PC BOARD LAYOUT BACKPLANE COMPONENT SIDE SHOWN SCALE: 6:1

1934299-1
 PART NUMBER

PART NUMBER: 1934299-1 DATE: 08/15/17 REV: 00 TITLE: CUSTOMER DRAWING	DRAWN BY: J. WAGNER CHECKED BY: J. WAGNER DATE: 08/15/17	PART NUMBER: 1934299-1 DATE: 08/15/17 REV: 00 TITLE: CUSTOMER DRAWING	PART NUMBER: 1934299-1 DATE: 08/15/17 REV: 00 TITLE: CUSTOMER DRAWING	PART NUMBER: 1934299-1 DATE: 08/15/17 REV: 00 TITLE: CUSTOMER DRAWING
--	--	--	--	--