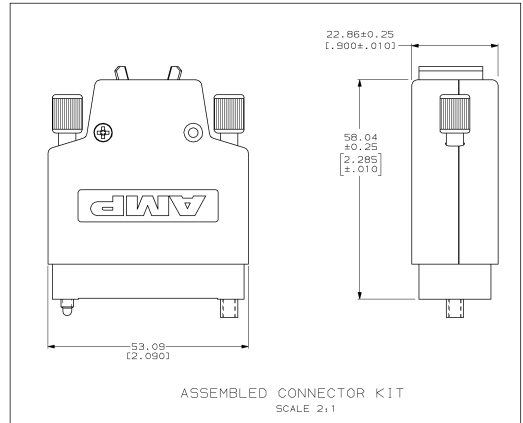
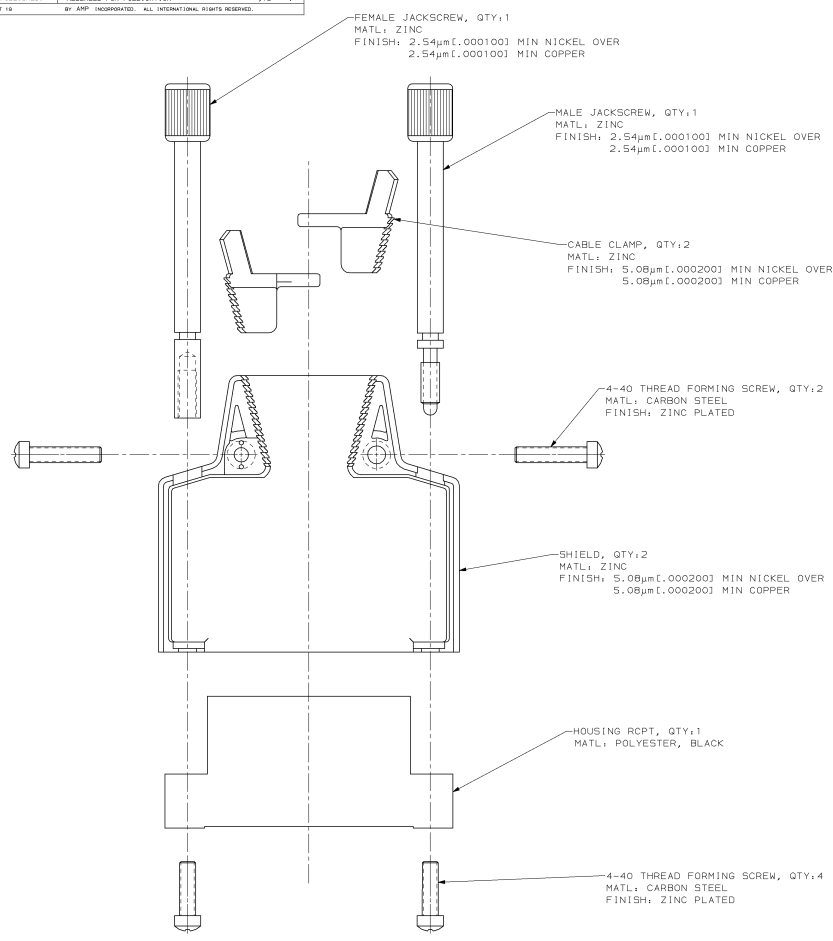


DRAWING MADE IN THIRD ANGLE PROJECTION
 THIS DRAWING IS UNPUBLISHED. RELEASED FOR PUBLICATION
 © copyright 1984 BY AMP INCORPORATED. ALL INTERNATIONAL RIGHTS RESERVED.

REV	DATE	DESCRIPTION	BY	CHKD
0	08-18-84	RLSE -1 & -2 PER NPR 5125 WAS		TC
A	10-05-84	34-7885-002-01 & -02		TC
B	10-09-84	REV PER EC 0020-288-05		MM
C	10-09-84	ADDED -3 PER EC 002-283-96		MM
		REV PER EC 0320-163-96		MM



10.16-15.24 (.400-.600)	213805-3
6.35-10.16 (.250-.400)	213805-2
3.81-7.62 (.150-.300)	213805-1
CABLE DIAMETER	PART NO

DO NOT SCALE PRINT. UNLESS SPECIFIED DIMENSIONS IN mm (INCHES) TOLERANCES ON: 2 PL DEC = 0.13(.005) 3 PL DEC = .	DR 08-18-84 D. BRIDGMAN CHK 10-05-84 S. STONE APPD 10-09-84 T. COLSON	AMP Incorporated Harrisburg, PA 17105-3608
MATERIAL SEE CALLOUTS	APPD 10-09-84 T. COLSON PRODUCT SPEC	CONNECTOR KIT, UNASSEMBLED, 34 POSITION, V.35 M SERIES
FINISH SEE CALLOUTS	APPLICATION SPEC WEIGHT	SIZE D CAGE CODE 00779 DRAWING NO 213805 SCALE 3:1 SHEET 1 OF 1

08-JAN-97 11:06:25 00005568 /home/ssrv0264/ssi04/dep04033/amp005568/etm00

CUSTOMER DRAWING