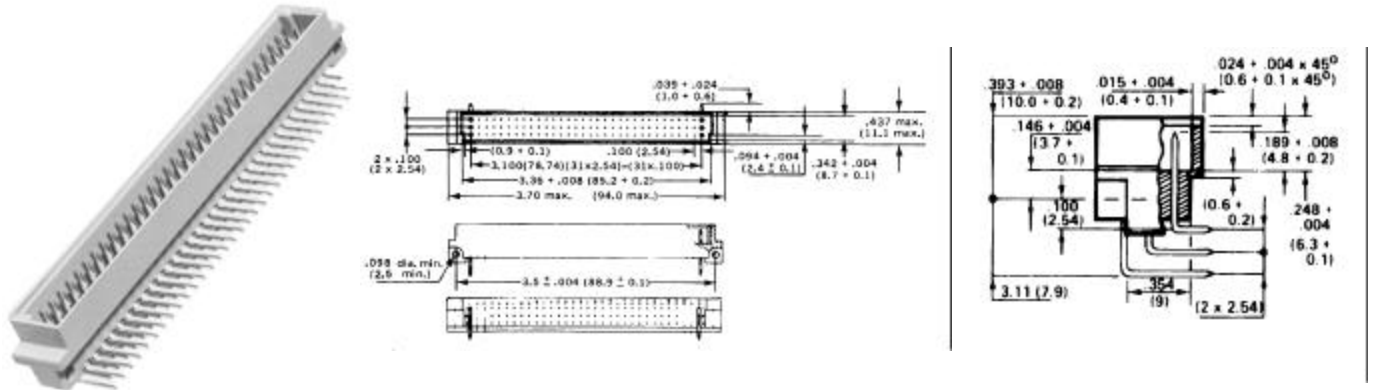
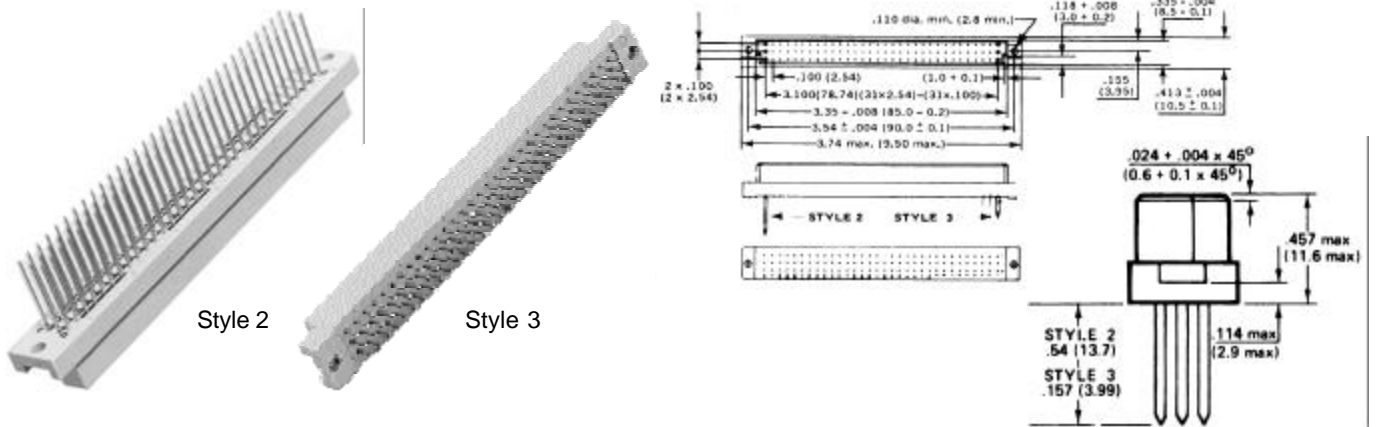


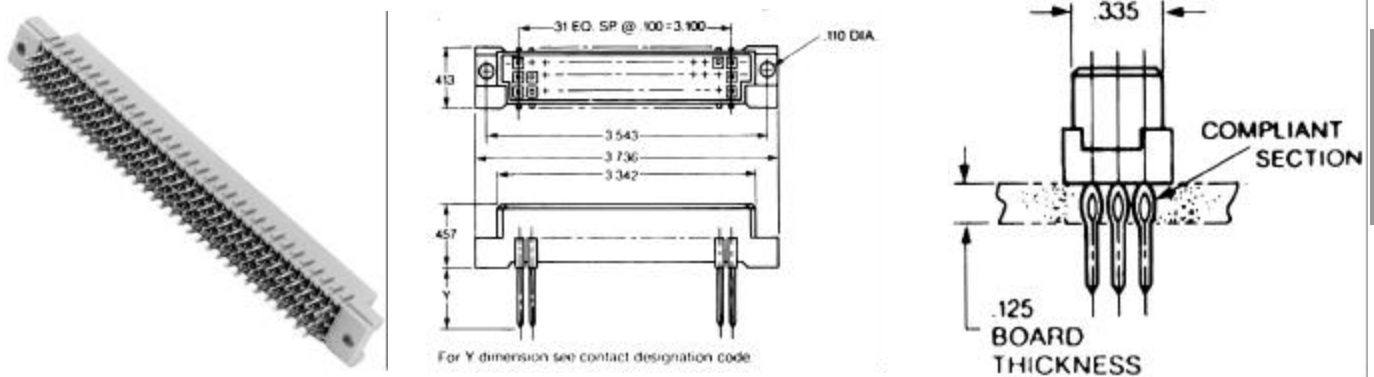
# Style 1



# Style 2 & 3

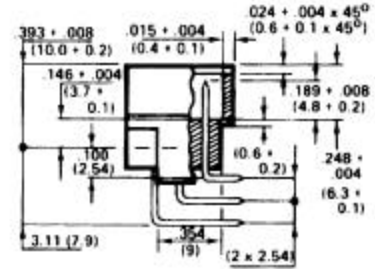
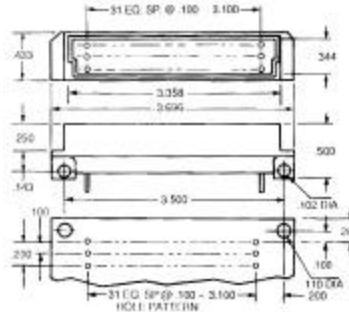


# Style 4

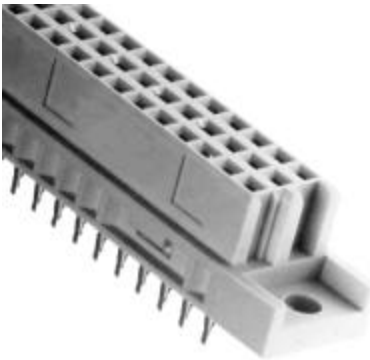


Accessories

## Style 5



## RE96FABG



ABG Type

For automatic daisy chaining of VME and VXI backplanes. Eliminates the need for manual jumpering. Pin entry acts like a switch which is activated and closed during insertion. No other moving parts required. Same MTBF as other types. Requires special EPT installation tooling.

## Standard VME Bus Signals

IACK IN - IACK OUT  
BG 0 IN - BG 0 OUT  
BG 1 IN - BG 0 OUT  
BG 2 IN - BG 2 OUT  
BG 3 IN - BG 3 OUT

## Switched Pins

a 21-22  
b 4-5  
b 6-7  
b 8-9  
b 10-11

## Specifications for 96 Pin Connector

<b>Insulator:</b>	Glass-Filled PBT UL-94V-0
<b>Contact Material:</b>	Phosphor bronze
<b>Current Rating:</b>	2 AMPS
<b>Dielectric Withstanding Voltage:</b>	AC 1000V for 1 minute
<b>Insulator Resistance:</b>	1000M Ohms min. @ 500 VDC
<b>Contact Resistance:</b>	30 m Ohms max. @ 100mA DC
<b>Operating Temperature:</b>	-55° C - +105° C

## Ordering Information

Part No.	Style #	M/F	Contact Length	Type
RE96FSR	1	F	0.087"	Solder Tail, Right Angle
RE96MSD	3	M	0.157"	Solder Tail
RE96MSR-062	1	M	0.087"	Solder Tail, Right Angle
RE96MSR-125	1	M	0.174"	Solder Tail, Right Angle
RE96FW	2	F	0.54"	Wire-Wrap
RE96MW	2	M	0.54"	Wire-Wrap
RE96FABG	n/a	F		Auto Bus Grant
RE96FSD	3	F	0.157"	Solder Tail
RE96FSP	4	F	0.208"	Pressfit Solder Tail
RE96FWP	4	F	0.366"	Pressfit Wire-Wrap
RE96MWR	5	M	0.455"	Wire-Wrap, Right Angle
79900004	n/a	n/a	n/a	Shroud, thin wall, thick wall