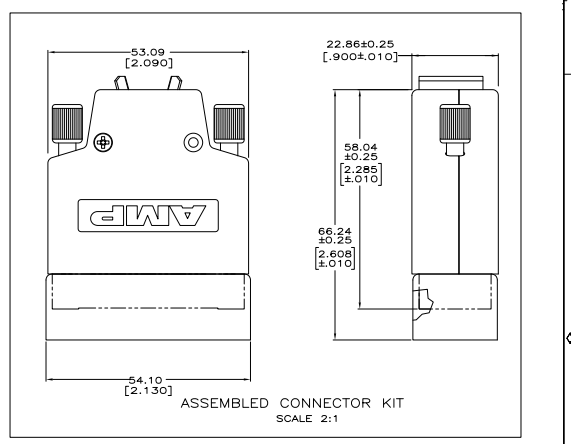
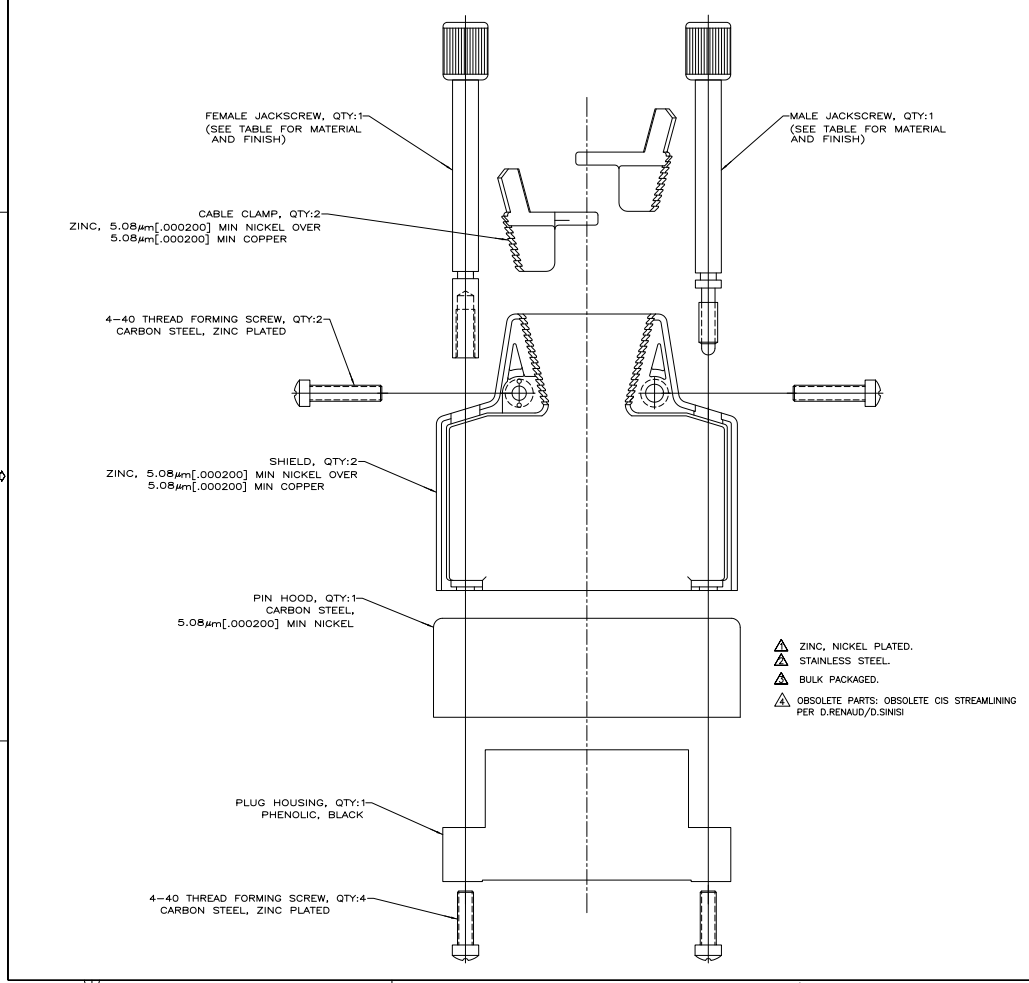


DRAWING MADE IN THIRD ANGLE PROJECTION
 THIS DRAWING IS UNPUBLISHED. RELEASED FOR PUBLICATION
 © COPYRIGHT 19 BY AMP INCORPORATED. ALL INTERNATIONAL RIGHTS RESERVED.

REVOLUTIONS		DATE	APPD
A	ADDED -5 PER NPR 4275	07/26/94	SK
B	ADDED -6 PER NPR 4287	07/27/94	RR
C	ADDED -7 & -8 PER NPR 4304	08/10/94	SK
C-1	ADDED -9 PER NPR 5009	10/10/94	TC
D	REV PER ECN 0020-430-94	08/29/94	TC
E	ADDED 1-10 PER EC 0020-1216-94	10/10/94	TC
F	REV PER EC 0020-216-95	08/29/94	TC
G	REV PER EC 0020-318-95	08/29/94	TC
H	ADDED 1-11 PER EC 0320-46-96	11/09/96	MM
J	CS -5, -6 & -8 PER EC 0320-558-96	01/09/97	MM
J-1	REVISED PER ECO-09-021826	08/29/96	AEG



- ▲ ZINC, NICKEL PLATED.
- ▲ STAINLESS STEEL.
- ▲ BULK PACKAGED.
- ▲ OBSOLETE PARTS: OBSOLETE CIS STREAMLINING PER D.RENAUD/D.SINISI

REVISION	DESCRIPTION	DATE	APPD
1	3.81-7.62 [1.50-300]	4-213684-1	
2	3.81-7.62 [1.50-300]	4-213684-0	
3	3.81-7.62 [1.50-300]	213684-9	
4	6.35-10.16 [250-400]	213684-8	
5	10.16-15.24 [400-600]	213684-7	
6	6.35-10.16 [250-400]	213684-6	
7	10.16-15.24 [400-600]	213684-5	
8	6.35-10.16 [250-400]	213684-4	
9	10.16-15.24 [400-600]	213684-3	
10	6.35-10.16 [250-400]	213684-2	
11	10.16-15.24 [400-600]	213684-1	

DO NOT SCALE PRINT. UNLESS SPECIFIED DIMENSIONS IN mm [INCHES]	DR 6-21-91 WLENER	AMP AMP Incorporated Harrisburg, PA 17105-3608
TOLERANCES: CH 0.13[005] 2 PLG DEC 0.13[005] 3 PLG DEC 0.13[005] 4 PLG DEC 0.13[005]	CHK 6-27-91 R. STONE	
MATERIAL SEE CALLOUTS	APPD 6-28-91 A BOLLIGIANE	CONNECTOR KIT, UNASSEMBLED, 34 POSITION, M SERIES
FINISH SEE CALLOUTS	PRODUCT SPEC -	
APPLICATION SPEC -	SIZE D	CAGE CODE 00779
WEIGHT -	SCALE 3:1	DRAWING NO 213684

CUSTOMER DRAWING SHEET 1 OF 1