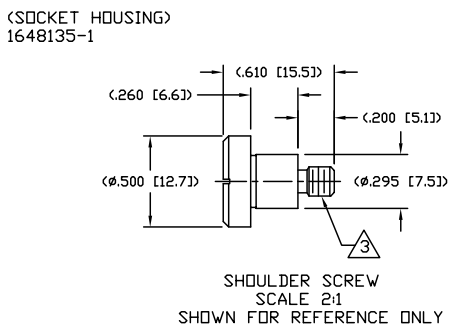
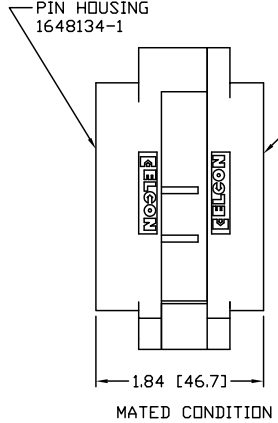
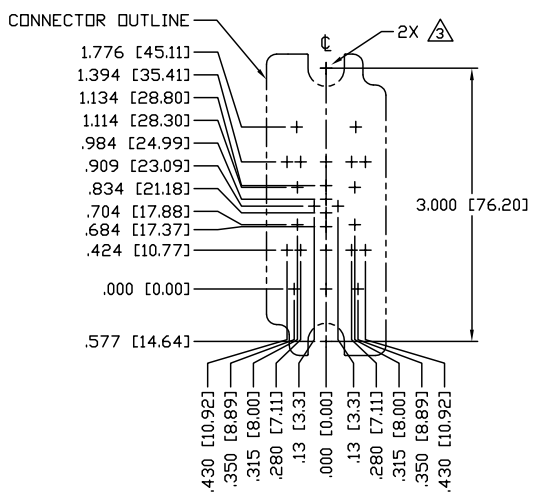
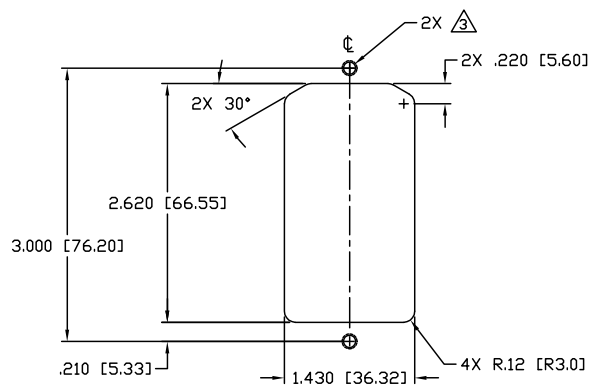


This drawing involves proprietary design rights of Tyco Electronics Corporation and all design, manufacture, reproduction, use and sale rights regarding the same are expressly reserved. It is submitted for a specific purpose and the recipient by accepting this drawing, assumes custody and control and agrees to take reasonable precautions: (a) that this drawing will not be copied and reproduced in whole or in part, or its contents, revealed in any manner, or in any form, except in most the manner for which it was delivered and (b) that any special features peculiar to this design will not be incorporated in other projects without the expressed written permission of Tyco Electronics Corporation.

REVISIONS			
EC	REV	DESCRIPTION	DATE
		SEE SHEET 1	



<small>INCH OR INCH (MM)</small> 	<small>DRAWN</small> HA NGUYEN	<small>DATE</small> 03/21/06	Tyco Electronics Corporation Menlo Park, Ca 94025	
<small>THIRD ANGLE PROJECTION</small>	<small>CHECKED</small> APPROVED		<small>TITLE</small> USER INFORMATION RECOMMENDED PANEL CUTOUT CONTACT LAYOUT & MATED CONDITION	
<small>UNLESS OTHERWISE SPECIFIED DIMENSIONS ARE IN INCHES (METRIC)</small>	<small>APPROVED</small> STEVE FLICKINGER	<small>DATE</small> 03/21/06	<small>SIZE</small> B	<small>DWG NUMBER</small> C-1648134
<small>TOLERANCES</small> ANGLES $\pm .5^\circ$ DECIMALS .XXX $\pm .010 (.25)$.XX $\pm .02 (.3)$	<small>DCA APPROVED</small> HA NGUYEN	<small>DATE</small> 03/21/06	<small>REV.</small> A	<small>DWG SCALE</small> 1=1
	<small>ACAD FILE NUMBER</small> C1648134A.DWG			<small>SH</small> 3 OF 3

