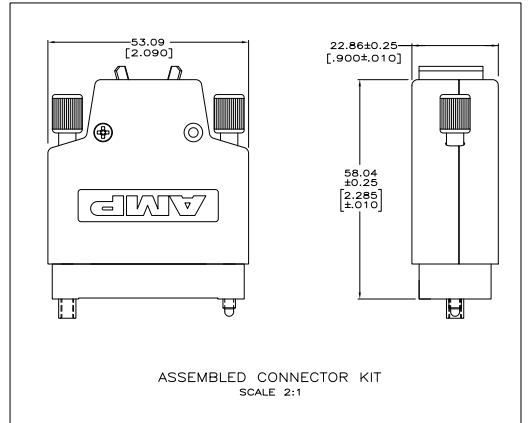
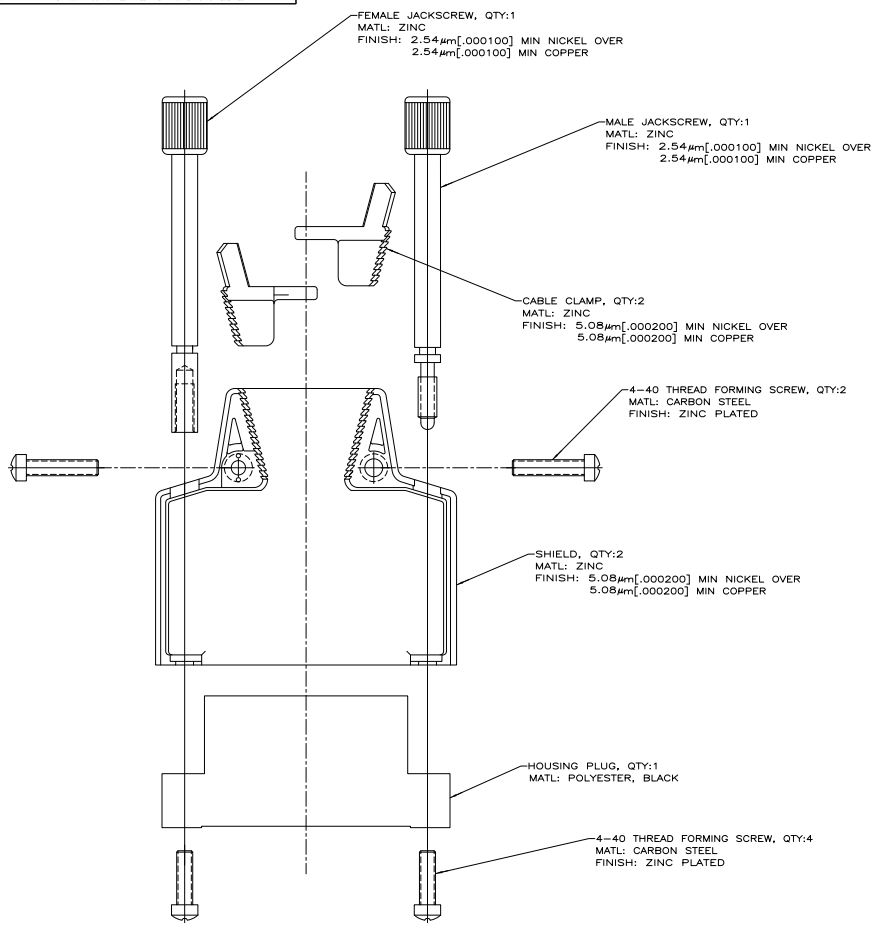


DRAWING MADE IN THIRD ANGLE PROJECTION  
 THIS DRAWING IS UNPUBLISHED. RELEASED FOR PUBLICATION  
 © COPYRIGHT 19 BY AMP INCORPORATED. ALL INTERNATIONAL RIGHTS RESERVED.

REVOLUTIONS		DATE	APPD
0	RUSE -1 & -2 PER NPR 5124 WAS	08-10-84	TC
A	REV PER EC 0020-268-95	03/07/96	TC
B	ADDED -3 PER EC 002-283-96	10/08/96	MM
C	REV PER EC 0320-163-96	08/08/97	MM
C1	REVISED PER ECO-09-020689	27/06/09	JK/AG



⚠️ OBSOLETE PARTS: OBSOLETE CIS STREAMLINING PER D.RENAUD/D.SINISI

⚠️ OBSOLETE	10.16-15.24 [.400-.600]	213803-3
⚠️ OBSOLETE	6.35-10.16 [250-.400]	213803-2
⚠️ OBSOLETE	3.81-7.62 [1.50-.300]	213803-1
	CABLE DIAMETER	PART NO

DO NOT SCALE PRINT, UNLESS SPECIFIED	DR 08-12-84	AMP Incorporated	
DIMENSIONS IN mm [INCHES]	CHK 10-05-84	Harrisburg, PA 17105-3608	
TOLERANCES IN mm [INCHES]	APPD 10-08-84	NAME	
2 F.G. DEC # 0.13[.005]	10/08/84	CONNECTOR KIT, UNASSEMBLED,	
3 P.LG. DEC # -	10/08/84	34 POSITION, V.35, M SERIES	
MATERIAL	10/08/84	FINISH	
SEE CALLOUTS	10/08/84	APPLICATION SPEC	
	10/08/84	WEIGHT	
		SIZE	CAGE CODE
		D	00779
		SCALE	3:1
		DRAWING NO	213803
		SHEET 1 OF 1	

CUSTOMER DRAWING