

4

3

2

1

THIS DRAWING IS UNPUBLISHED. RELEASED FOR PUBLICATION BY TYCO ELECTRONICS CORPORATION. ALL RIGHTS RESERVED.

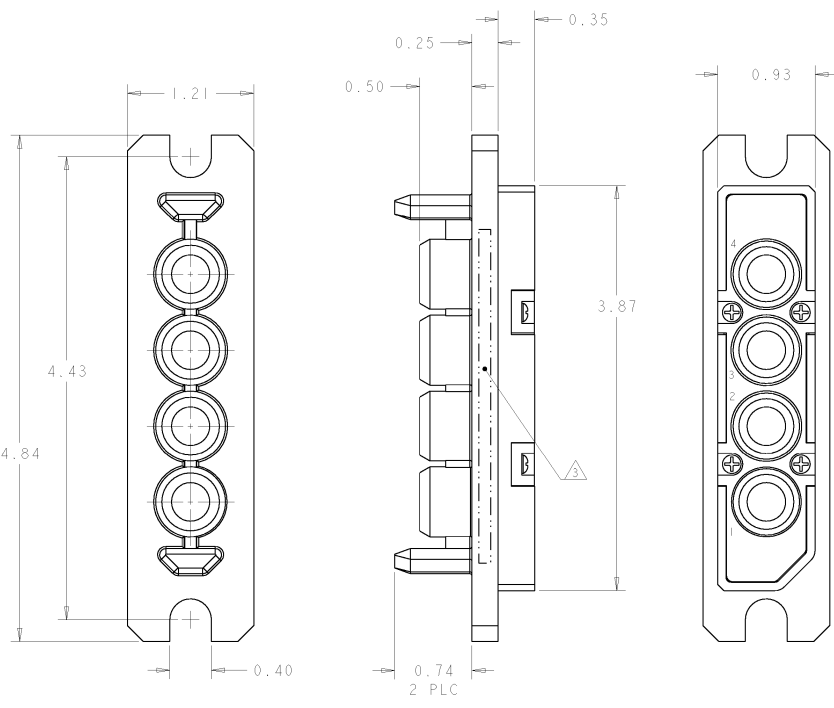
REV	DATE	BY	CHKD	DESCRIPTION
A	27SEP2006	RG	SO	RELEASED

- PART NUMBER CHANGES AND OR DESIGN CHANGES AFFECTING THE INTERCHANGEABILITY REQUIRE PRIOR TYCO APPROVAL AND AUTHORIZATION BY REVISION TO THIS DRAWING.
- MATERIAL:
INSULATOR: THERMOPLASTIC, GLASS REINFORCED, UL 94V-0 FLAMMABILITY RATED, COLOR: BLACK
RETENTION CLIP: COPPER ALLOY OR STAINLESS STEEL

△ ITEMS PROVIDED TO THIS SPECIFICATION TO BE PERMANENTLY IDENTIFIED PER THE FOLLOWING IDENTIFIER:

TYCO PART NUMBER
XXXXXXXX-X

YEAR WEEK
DATE CODE (e.g. 0216)
XXXX



ELCON QUADPOWER DRAWER

AS SHOWN	6651494-1
DESCRIPTION	PART NUMBER

<small>TYCO ELECTRONICS CORPORATION IS AN ISO 9001 REGISTERED COMPANY. THIS DRAWING IS UNPUBLISHED. RELEASED FOR PUBLICATION BY TYCO ELECTRONICS CORPORATION. ALL RIGHTS RESERVED.</small>		DWN 27SEP2006 R. GRZYBOWSKI CHKD 27SEP2006 D. ORRIS APPD 27SEP2006 R. F. I. P. K. L. I. C. F. R.	tyco Electronics Tyco Electronics Harrisburg, PA 17105-3400
DIMENSIONS: INCHES 	DIMENSIONS: DECIMALS 0 PLC ±.01 1 PLC ±.01 2 PLC ±.005 3 PLC ±.01 4 PLC ±.01 ANGLES ±.5°	PRODUCT SPEC APPLICATION SPEC WEIGHT MATERIAL FINISH	SIZE CASE CODE DRAWING NO A200779C-6651494 RESTRICTED TO CUSTOMER DRAWING SCALE 3:1 SHEET 1 OF 1 REV A