

4

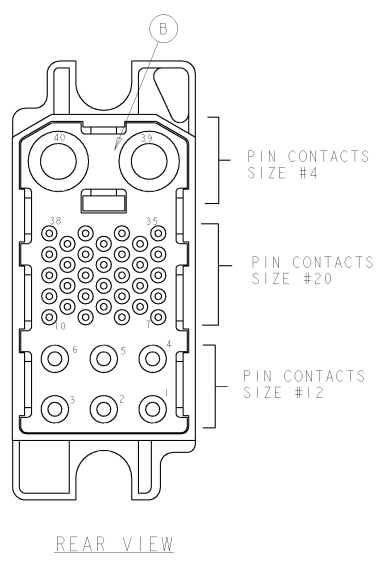
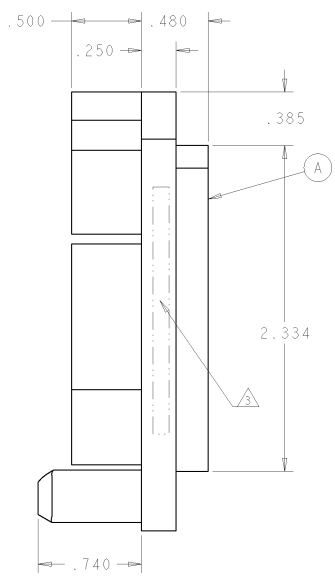
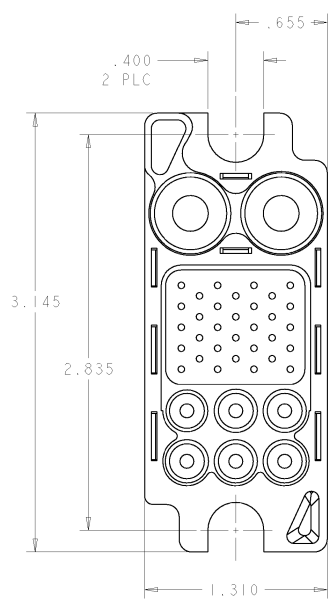
3

2

1

THIS DRAWING IS UNPUBLISHED. RELEASED FOR PUBLICATION BY TYCO ELECTRONICS CORPORATION. ALL RIGHTS RESERVED.

REVOLUTIONS		DATE	BY	APP'D
TR	LYR	DESCRIPTION		
A		NEW RELEASE	26APR07	BG DO



1. PART NUMBER CHANGES AND OR DESIGN CHANGES AFFECTING THE INTERCHANGEABILITY REQUIRE PRIOR TYCO APPROVAL AND AUTHORIZATION BY REVISION TO THIS DRAWING.

2. MATERIAL:  
INSULATOR: THERMOPLASTIC, GLASS REINFORCED, UL 94V-0  
FLAMMABILITY RATED, COLOR: BLACK  
RETENTION CLIP: BERYLLIUM COPPER OR STAINLESS STEEL

△ ITEMS PROVIDED TO THIS SPECIFICATION TO BE PERMANENTLY IDENTIFIED PER THE FOLLOWING IDENTIFIER:

TYCO PART NUMBER  
XXXXXXX-X

YEAR WEEK  
DATE CODE (e.g., 0216)  
XXXX

6	1650489-1	CLIP, RETENTION, #12	E
32	1650484-1	CLIP, RETENTION, #20	D
2	1650485-1	CLIP, RETENTION, #4	C
1	1648632-1	HOUSING, PIN, REAR	B
1	1648630-1	HOUSING, PIN, FRONT	A
-1	PART NUMBER	DESCRIPTION	ITEM

DIMENSIONS: INCHES		DIMENSIONS: MILLIMETERS		DIMENSIONS: MILLIMETERS		DIMENSIONS: MILLIMETERS		DIMENSIONS: MILLIMETERS		DIMENSIONS: MILLIMETERS		DIMENSIONS: MILLIMETERS		DIMENSIONS: MILLIMETERS		DIMENSIONS: MILLIMETERS		DIMENSIONS: MILLIMETERS		DIMENSIONS: MILLIMETERS	
0 PLC ±.005		1 PLC ±.005		2 PLC ±.005		3 PLC ±.005		4 PLC ±.005		5 PLC ±.005		6 PLC ±.005		7 PLC ±.005		8 PLC ±.005		9 PLC ±.005		10 PLC ±.005	
MATERIAL: ZINIBR		MATERIAL: ZINIBR		MATERIAL: ZINIBR		MATERIAL: ZINIBR		MATERIAL: ZINIBR		MATERIAL: ZINIBR		MATERIAL: ZINIBR		MATERIAL: ZINIBR		MATERIAL: ZINIBR		MATERIAL: ZINIBR		MATERIAL: ZINIBR	
CUSTOMER DRAWING		CUSTOMER DRAWING		CUSTOMER DRAWING		CUSTOMER DRAWING		CUSTOMER DRAWING		CUSTOMER DRAWING		CUSTOMER DRAWING		CUSTOMER DRAWING		CUSTOMER DRAWING		CUSTOMER DRAWING		CUSTOMER DRAWING	

ELCON MIDDLE DRAWER

AMP 1471-8 REV 20040200  
PRO/ENGINEER DRAWING