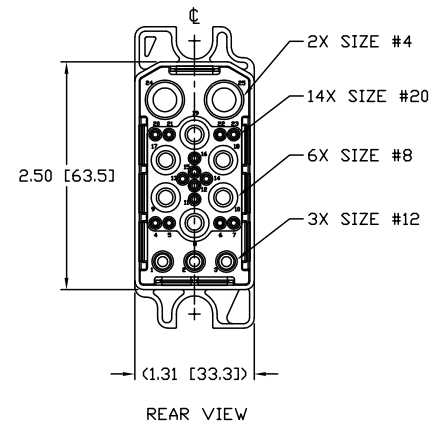
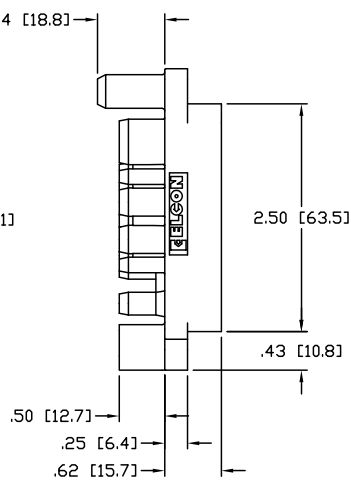
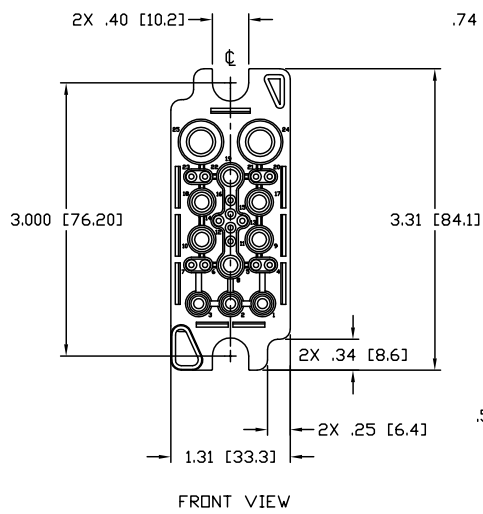




This drawing involves proprietary design rights of Tyco Electronics Corporation, and all design, manufacture, reproduction, use and sale rights regarding the same are expressly reserved. It is submitted for a specific purpose and the recipient by accepting this drawing, assumes custody and control and agrees to take reasonable precautions: (a) that this drawing will not be copied and reproduced in whole or in part, or its contents, revealed in any manner, or to any person except to meet the purpose for which it was delivered and (b) that any special features peculiar to this design will not be incorporated in other projects without the expressed written permission of Tyco Electronics Corporation.

REVISIONS			
EC	REV	DESCRIPTION	DATE
		SEE SHEET 1	

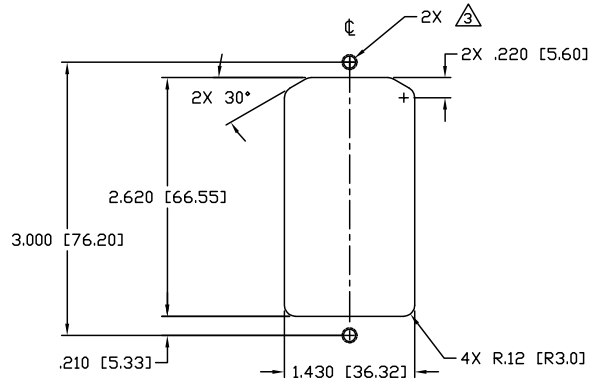


INCH OR INCH (MM) 	DRAWN HA NGUYEN	DATE 03/21/06	Tyco Electronics Corporation Menlo Park, Ca 94025 
	CHECKED	TITLE CONNECTOR, SOCKET HOUSING SIZE 2X#4, 14X#20, 6X#8, 3X#12 200A MIDDLE DRAWER	
UNLESS OTHERWISE SPECIFIED DIMENSIONS ARE IN INCHES (METRIC)	APPROVED STEVE FLICKINGER	DATE 03/21/06	SIZE DWG NUMBER B C-1648135
TOLERANCES ANGLES ± .5° DECIMALS .XXX ± .010 (.25) .XX ± .02 (.3)	APPROVED DCA APPROVED HA NGUYEN	ACAD FILE NUMBER C1648135A.DWG	REV. A
DWG SCALE 1=1 SH 2 OF 3			

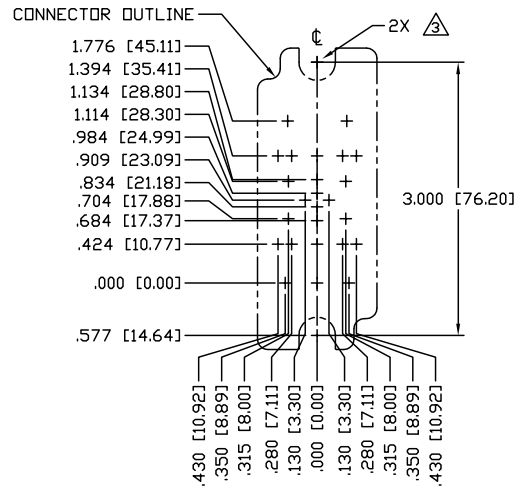
4 3 2 1

This drawing involves proprietary design rights of Tyco Electronics Corporation and all design, manufacture, reproduction, use and sale rights regarding the same are expressly reserved. It is submitted for a specific purpose and the recipient by accepting this drawing, assumes custody and control and agrees to take reasonable precautions: (a) that this drawing will not be copied and reproduced, in whole or in part, or its contents, revealed in any manner, or in any form, except in most the manner for which it was delivered and (b) that any special features peculiar to this design will not be incorporated in other projects without the expressed written permission of Tyco Electronics Corporation.

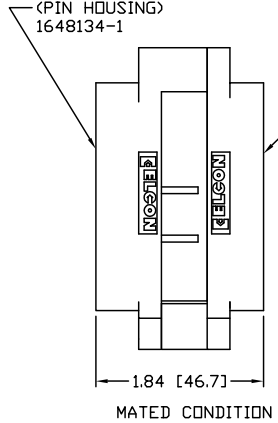
REVISIONS			
EC	REV	DESCRIPTION	DATE
		SEE SHEET 1	



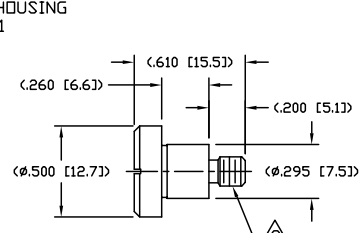
RECOMMENDED PANEL CUTOUT  
AS VIEWED FROM CONNECTOR MOUNTING SIDE  
(FRONT VIEW)



RECOMMENDED CONTACT LAYOUT  
AS VIEWED FROM CONNECTOR MOUNTING SIDE  
(FRONT VIEW)



MATED CONDITION



SHOULDER SCREW  
SCALE 2:1  
SHOWN FOR REFERENCE ONLY

INCH OR INCH (MM) THIRD ANGLE PROJECTION UNLESS OTHERWISE SPECIFIED DIMENSIONS ARE IN INCHES (METRIC)	DRAWN HA NGUYEN	DATE 03/21/06	Tyco Electronics Corporation Menlo Park, Ca 94025 	TITLE USER INFORMATION RECOMMENDED PANEL CUTOUT CONTACT LAYOUT & MATED CONDITION
	CHECKED			
TOLERANCES	APPROVED STEVE FLICKINGER	03/21/06	REV. A	
ANGLES ± .5°	DCA APPROVED HA NGUYEN	03/21/06		
DECIMALS .XXX ± .010 (.25) .XX ± .02 (.3)	ACAD FILE NUMBER C1648135A.DWG		DWG SCALE 1=1	SH 3 OF 3

4 3 2 1

B

B

A

A

4 3 2 1