

4

3

2

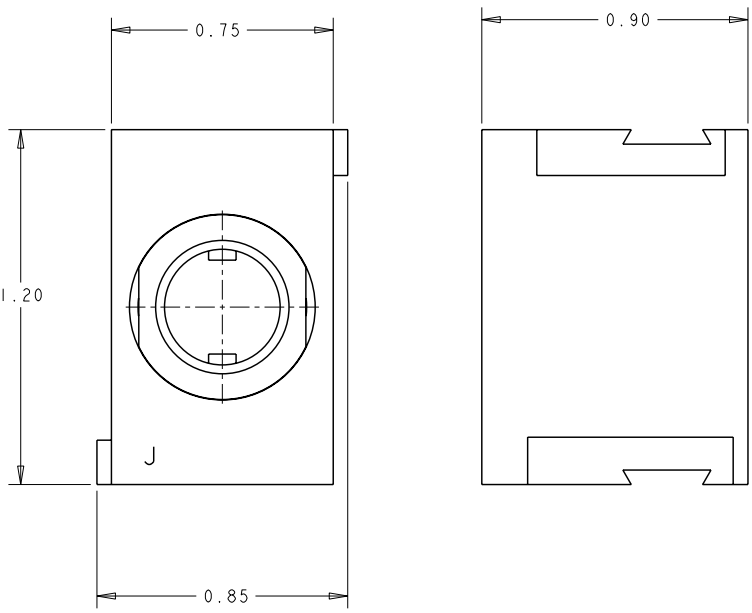
1

THIS DRAWING IS UNPUBLISHED. RELEASED FOR PUBLICATION
 © COPYRIGHT 20 BY TYCO ELECTRONICS CORPORATION. ALL RIGHTS RESERVED.

LOC	DIST	REVISIONS				
P	LTR	DESCRIPTION	DATE	DWN	APVD	
	A	NEW RELEASE	23OCT2008	CR	DO	

- PART NUMBER CHANGES AND/OR DESIGN CHANGES AFFECTING INTERCHANGEABILITY REQUIRE PRIOR TYCO ELECTRONICS APPROVAL AND AUTHORIZATION BY REVISION TO THIS DRAWING
- ITEMS PROVIDED TO THIS SPECIFICATION TO BE PERMANENTLY IDENTIFIED PER THE FOLLOWING IDENTIFIER LABEL

YEAR 1 WEEK 1
 TYCO ELECTRONICS P/N DATE CODE (e.g. 0T06)
 XXXXXXXX-X XXXX



AS SHOWN	6650680-1
DESCRIPTION	PART NO.

<small>THIS DRAWING IS A CONTROLLED DOCUMENT FOR TYCO ELECTRONICS CORPORATION AND IS SUBJECT TO CHANGE. THE CONTROLLING ENGINEERING ORGANIZATION SHOULD BE CONTACTED FOR THE LATEST REVISION.</small>		DWN C. ROHLER 23OCT2008 CHG D. ORRIS 23OCT2008 APVD M. PERCHERKE 23OCT2008	Tyco Electronics Harrisburg, PA 17105-3608
DIMENSIONS: INCHES	TOLERANCES UNLESS OTHERWISE SPECIFIED: 0 PLC ±. 1 PLC ±. 2 PLC ±.02 3 PLC ±.010 4 PLC ±. ANGLES ±.5	NAME HOUSING, PERPENDICULAR SOCKET SIDE MODULE J DOMINO	RESTRICTED TO
MATERIAL - FINISH -		SIZE A3 CAGE CODE 00779 DRAWING NO. C-6650680	WEIGHT -
CUSTOMER DRAWING		SCALE 3:1	SHEET 1 OF 1 REV A

ELCON **DOMINO**

AMP 1470-19 REV 31MAR2000
 Pro/ENGINEER DRAWING