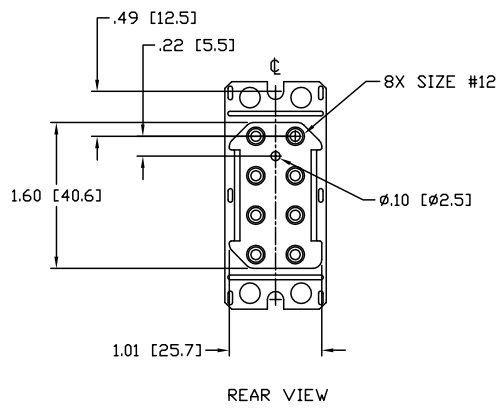
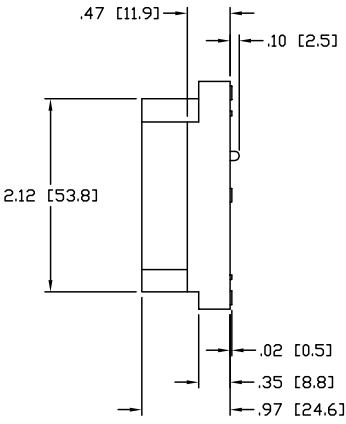
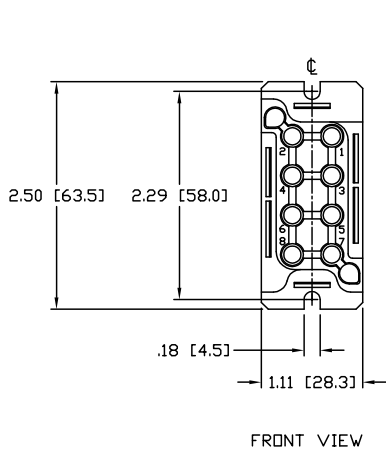


4	3	2	1																																																				
<table border="1" style="width: 100%; border-collapse: collapse;"> <tr> <th colspan="4" style="text-align: center;">REVISIONS</th> </tr> <tr> <th style="width: 10%;">EC</th> <th style="width: 10%;">REV</th> <th style="width: 70%;">DESCRIPTION</th> <th style="width: 10%;">DATE</th> </tr> <tr> <td style="text-align: center;">CPR</td> <td style="text-align: center;">A</td> <td>NEW RELEASE, PREVIOUSLY CUD 499-058</td> <td style="text-align: center;">03/18/06</td> </tr> </table>				REVISIONS				EC	REV	DESCRIPTION	DATE	CPR	A	NEW RELEASE, PREVIOUSLY CUD 499-058	03/18/06																																								
REVISIONS																																																							
EC	REV	DESCRIPTION	DATE																																																				
CPR	A	NEW RELEASE, PREVIOUSLY CUD 499-058	03/18/06																																																				
<p style="font-size: small; margin: 0;">This drawing involves proprietary design rights of Tyco Electronics Corporation, and all design, manufacture, reproduction, use and sale rights regarding the same are expressly reserved. It is submitted for a specific purpose and the recipient by accepting this drawing, assumes custody and control and agrees to take reasonable precautions: (a) that this drawing will not be copied and reproduced, in whole or in part, or its contents, revealed in any manner, or in any form, except in most (b) person for which it was delivered and (c) that any special features peculiar to this design will not be incorporated in other projects without the expressed written permission of Tyco Electronics Corporation.</p>																																																							
<p>7. SEE DRAWING C-1648128 FOR MATING SOCKET CONNECTOR.</p> <p>6. ITEMS PROVIDED TO THIS SPECIFICATION TO BE PERMANENTLY IDENTIFIED PER THE FOLLOWING IDENTIFIER: WEEK</p> <p style="margin-left: 40px;">YEAR <table style="display: inline-table; border: 1px solid black; border-collapse: collapse;"><tr><td style="width: 15px; height: 15px;"></td><td style="width: 15px; height: 15px;"></td></tr></table></p> <p style="margin-left: 40px;">TYCO PART NUMBER DATE CODE (e.g. 0625)</p> <p style="margin-left: 40px;"><table style="display: inline-table; border: 1px solid black; border-collapse: collapse;"><tr><td style="width: 60px; height: 15px; text-align: center;">XXXXXXXX-X</td><td style="width: 40px; height: 15px; text-align: center;">XXXX</td></tr></table></p> <p>5. ALL DIMENSIONS SHOWN ACROSS A CENTERLINE (⊥) SHALL BE CENTRALIZED WITHIN THE TOLERANCE INDICATED FOR THAT DIMENSION.</p> <p>4. A REFERENCE DIMENSION (.XXX) IS WITHOUT TOLERANCE AND USED FOR INFORMATION PURPOSE ONLY.</p> <p>③ RECOMMENDED MOUNTING HARDWARE: TO BE ORDERED SEPARATELY.</p> <ul style="list-style-type: none"> - FOR PANEL MOUNTING, USE <ul style="list-style-type: none"> 1650402-1: SHOULDER SCREW, #8-32 1650589-1: SHOULDER SCREW, M4X0.7 - FOR PCB MOUNTING, USE COMMERCIALY AVAILABLE SCREW AND WASHER (IF REQUIRED). <p>2. MATERIALS:</p> <p style="margin-left: 40px;">HOUSING: THERMOPLASTIC, GLASS REINFORCED, COLOR-BLACK UL94V-0 FLAMMABILITY RATED.</p> <p style="margin-left: 40px;">RETENTION CLIP: COPPER ALLOY OR STAINLESS STEEL</p> <p>1. PART NUMBER CHANGES AND OR DESIGN CHANGES AFFECTING ITEM INTERCHANGEABILITY REQUIRE PRIOR ELCON APPROVAL AND AUTHORIZATION BY REVISION TO THIS DRAWING.</p> <p>NOTES: UNLESS OTHERWISE SPECIFIED</p>						XXXXXXXX-X	XXXX																																																
XXXXXXXX-X	XXXX																																																						
<table border="1" style="width: 100%; border-collapse: collapse;"> <tr> <td style="width: 20%;"></td> <td style="width: 20%; text-align: center;">1648127-1</td> <td style="width: 20%; text-align: center;">AS SHOWN</td> <td style="width: 40%;"></td> </tr> <tr> <td></td> <td style="text-align: center;">PART NUMBER</td> <td style="text-align: center;">DESCRIPTION</td> <td></td> </tr> <tr> <td colspan="4" style="text-align: center;"> Tyco Electronics Corporation Menlo Park, Ca 94025 </td> </tr> <tr> <td colspan="4" style="text-align: center;"> ELCON </td> </tr> <tr> <td colspan="4" style="text-align: center;"> TITLE CONNECTOR, PIN HOUSING SIZE 8X #12 HV8P DRAWER </td> </tr> <tr> <td style="font-size: x-small;">UNLESS OTHERWISE SPECIFIED DIMENSIONS ARE IN INCHES (METRIC)</td> <td style="font-size: x-small;">THIRD ANGLE PROJECTION</td> <td style="font-size: x-small;">DRAWN HA NGUYEN</td> <td style="font-size: x-small;">DATE 03/18/06</td> </tr> <tr> <td style="font-size: x-small;">TOLERANCES</td> <td style="font-size: x-small;">APPROVED</td> <td style="font-size: x-small;">APPROVED</td> <td style="font-size: x-small;">APPROVED</td> </tr> <tr> <td style="font-size: x-small;">ANGLES ± .5°</td> <td style="font-size: x-small;">STEVE FLICKINGER</td> <td style="font-size: x-small;">DCA APPROVED</td> <td style="font-size: x-small;">03/18/06</td> </tr> <tr> <td style="font-size: x-small;">DECIMALS .XXX ± .010 (.25)</td> <td style="font-size: x-small;">HA NGUYEN</td> <td style="font-size: x-small;">ACAD FILE NUMBER</td> <td style="font-size: x-small;">C1648127A.DWG</td> </tr> <tr> <td style="font-size: x-small;">.XX ± .02 (.3)</td> <td></td> <td style="font-size: x-small;">SIZE DWG NUMBER</td> <td style="font-size: x-small;">REV.</td> </tr> <tr> <td></td> <td></td> <td style="text-align: center;">B</td> <td style="text-align: center;">A</td> </tr> <tr> <td></td> <td></td> <td style="text-align: center;">C- 1648127</td> <td></td> </tr> <tr> <td></td> <td></td> <td style="text-align: right;">DWG SCALE 1=1</td> <td style="text-align: right;">SH 1 OF 3</td> </tr> </table>					1648127-1	AS SHOWN			PART NUMBER	DESCRIPTION		Tyco Electronics Corporation Menlo Park, Ca 94025				ELCON				TITLE CONNECTOR, PIN HOUSING SIZE 8X #12 HV8P DRAWER				UNLESS OTHERWISE SPECIFIED DIMENSIONS ARE IN INCHES (METRIC)	THIRD ANGLE PROJECTION	DRAWN HA NGUYEN	DATE 03/18/06	TOLERANCES	APPROVED	APPROVED	APPROVED	ANGLES ± .5°	STEVE FLICKINGER	DCA APPROVED	03/18/06	DECIMALS .XXX ± .010 (.25)	HA NGUYEN	ACAD FILE NUMBER	C1648127A.DWG	.XX ± .02 (.3)		SIZE DWG NUMBER	REV.			B	A			C- 1648127				DWG SCALE 1=1	SH 1 OF 3
	1648127-1	AS SHOWN																																																					
	PART NUMBER	DESCRIPTION																																																					
Tyco Electronics Corporation Menlo Park, Ca 94025																																																							
ELCON																																																							
TITLE CONNECTOR, PIN HOUSING SIZE 8X #12 HV8P DRAWER																																																							
UNLESS OTHERWISE SPECIFIED DIMENSIONS ARE IN INCHES (METRIC)	THIRD ANGLE PROJECTION	DRAWN HA NGUYEN	DATE 03/18/06																																																				
TOLERANCES	APPROVED	APPROVED	APPROVED																																																				
ANGLES ± .5°	STEVE FLICKINGER	DCA APPROVED	03/18/06																																																				
DECIMALS .XXX ± .010 (.25)	HA NGUYEN	ACAD FILE NUMBER	C1648127A.DWG																																																				
.XX ± .02 (.3)		SIZE DWG NUMBER	REV.																																																				
		B	A																																																				
		C- 1648127																																																					
		DWG SCALE 1=1	SH 1 OF 3																																																				
4	3	2	1																																																				

This drawing involves proprietary design rights of Tyco Electronics Corporation, and all design, manufacture, reproduction, use and sale rights regarding the same are expressly reserved. It is submitted for a specific purpose and the recipient by accepting this drawing, assumes custody and control and agrees to take reasonable precautions: (a) that this drawing will not be copied and reproduced, in whole or in part, or its contents, revealed in any manner, or in any form, except in most the purpose for which it was delivered and (b) that any special features peculiar to this design will not be incorporated in other projects without the expressed written permission of Tyco Electronics Corporation.

REVISIONS			
EC	REV	DESCRIPTION	DATE
		SEE SHEET 1	



<small>INCH OR INCH (MM)</small> <small>THIRD ANGLE PROJECTION</small> <small>UNLESS OTHERWISE SPECIFIED DIMENSIONS ARE IN INCHES (METRIC)</small> <small>TOLERANCES</small> <small>ANGLES ± .5°</small> <small>DECIMALS</small> <small>.XXX ± .010 (.25)</small> <small>.XX ± .02 (.3)</small>	<small>DRAWN</small> HA NGUYEN	<small>DATE</small> 03/18/06	 Tyco Electronics Corporation Menlo Park, Ca 94025 	<small>TITLE</small> CONNECTOR, PIN HOUSING SIZE 8X #12 HV8P DRAWER
	<small>CHECKED</small> APPROVED			
	<small>APPROVED</small> STEVE FLICKINGER DCA APPROVED HA NGUYEN	<small>DATE</small> 03/18/06	<small>REV.</small> A	
	<small>ACAD FILE NUMBER</small> C1648127A.DWG	<small>DWG SCALE</small> 1=1	<small>SH</small> 2 OF 3	

4 3 2 1

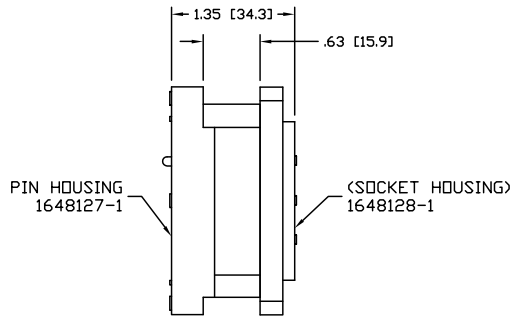
B
A

B
A

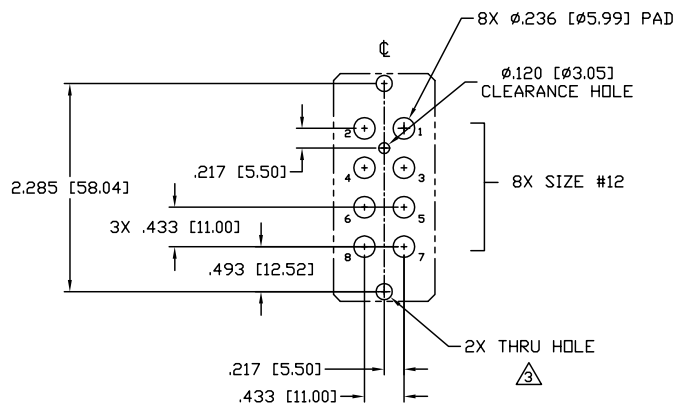
4 3 2 1

This drawing involves proprietary design rights of Tyco Electronics Corporation, and all design, manufacture, reproduction, use and sale rights regarding the same are expressly reserved. It is submitted for a specific purpose and the recipient by accepting this drawing, assumes custody and control and agrees to take reasonable precautions: (a) that this drawing will not be copied and reproduced, in whole or in part, or its contents, revealed in any manner, or in any form, except in most (b) purpose for which it was delivered and (c) that any special features peculiar to this design will not be incorporated in other projects without the expressed written permission of Tyco Electronics Corporation.

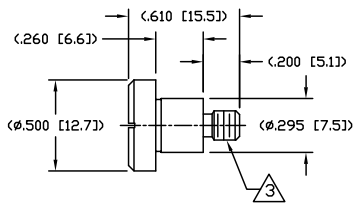
REVISIONS			
EC	REV	DESCRIPTION	DATE
		SEE SHEET 1	



MATED CONDITION



RECOMMENDED CONTACT LAYOUT
AS VIEWED FROM CONNECTOR MOUNTING SIDE
(FRONT VIEW)



SHOULDER SCREW
SCALE 2:1
SHOWN FOR REFERENCE ONLY

INCH MM THIRD ANGLE PROJECTION UNLESS OTHERWISE SPECIFIED DIMENSIONS ARE IN INCHES (METRIC) TOLERANCES ANGLES ± .5° DECIMALS .XXX ± .010 (.25) .XX ± .02 (.3)	DRAWN HA NGUYEN CHECKED	DATE 03/18/06	Tyco Electronics Corporation Menlo Park, Ca 94025
	APPROVED STEVE FLICKINGER DCA APPROVED HA NGUYEN ACAD FILE NUMBER C1648127A.DWG	DATE 03/18/06 03/18/06	TITLE USER INFORMATION RECOMMENDED CONTACT LAYOUT AND MATED CONDITION SIZE DWG NUMBER B 1648127

DWG SCALE 1=1 SH 3 OF 3