

4

3

2

1

THIS DRAWING IS UNPUBLISHED. RELEASED FOR PUBLICATION  
 © COPYRIGHT - BY TYCO ELECTRONICS CORPORATION. ALL RIGHTS RESERVED.

LOC		DIST		REVISIONS			
P	LTR	DESCRIPTION		DATE	DWN	APVD	
	B	REV PER ECO-06-013947		30JUN06	TK	SF	


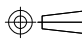
- 7. CONTACTS PURCHASED SEPARATELY.
- 6. ELCON EQUIVALENT SERIES 298-10-01100.
- 5. ITEMS PROVIDED TO THIS SPECIFICATION TO BE PERMANENTLY IDENTIFIED PER THE FOLLOWING IDENTIFIER:

YEAR    WEEK  
 ┌───┬───┐  
 TYCO PART NUMBER    DATE CODE (e.g. 0602)  
 └───┴───┘    └───┘

4 A REFERENCE DIMENSION (X.XX) IS WITHOUT TOLERANCE AND USED FOR INFORMATION ONLY.

- 3. FINISHES:  
RETENTION CLIPS: BRITE DIP PICKLED PER INDUSTRY STANDARDS.
- 2. MATERIALS:  
INSULATORS: THERMOPLASTIC, GLASS REINFORCED,  
UL94V-0 FLAMMABILITY RATED, COLOR-BLACK.  
RETENTION CLIPS: COPPER OR STAINLESS STEEL.
- 1. PART NUMBER CHANGES AND OR DESIGN CHANGES AFFECTING ITEM INTERCHANGEABILITY REQUIRE PRIOR TYCO APPROVAL AND AUTHORIZATION BY REVISION TO THIS DRAWING.

NOTES: UNLESS OTHERWISE SPECIFIED

THIS DRAWING IS A CONTROLLED DOCUMENT.		DWN	R.F.A.	3/2/06	 Tyco Electronics Corporation Harrisburg, PA 17105-3608	
DIMENSIONS: INCHES		CHK	S. FLICKINGER	3/3/06		
		APVD	S. FLICKINGER	3/3/06	NAME	
TOLERANCES UNLESS OTHERWISE SPECIFIED: 0 PLC ± - 1 PLC ± - 2 PLC ± .02[3] 3 PLC ± .010[25] 4 PLC ± - ANGLES ± 5°		PRODUCT SPEC		CONNECTOR, SOCKET SIZE #16,20,12 CONFIG. LOWER DRAWER		
MATERIAL		APPLICATION SPEC		SIZE		RESTRICTED TO
FINISH		WEIGHT		CAGE CODE	DRAWING NO	
		CUSTOMER DRAWING		A3	00779	1648208
				SCALE	1:1	SHEET 1 OF 2 REV B

4

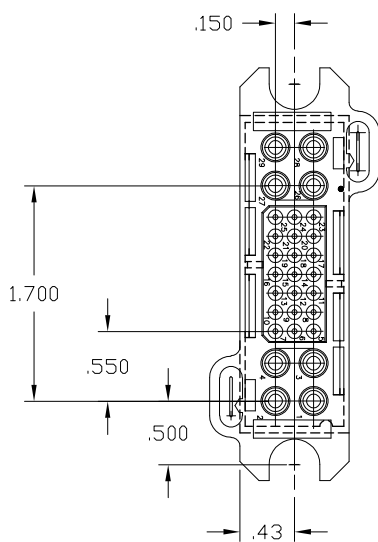
3

2

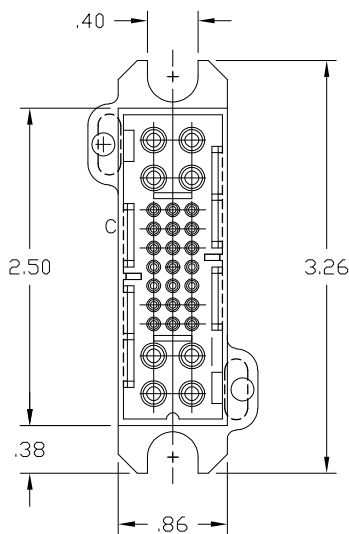
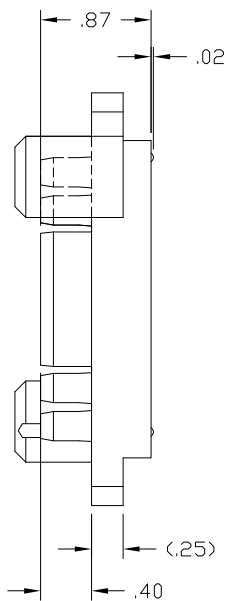
1

THIS DRAWING IS UNPUBLISHED. RELEASED FOR PUBLICATION  
 © COPYRIGHT - BY TYCO ELECTRONICS CORPORATION. ALL RIGHTS RESERVED.

LOC		DIST		REVISIONS			
P	LTR	DESCRIPTION	DATE	DWN	APVD		
GP	00	SEE SHEET 1	-	-	-		



FRONT VIEW



REAR VIEW

THIS DRAWING IS A CONTROLLED DOCUMENT.		DWN	3/2/06	<b>tyco</b> Electronics	Tyco Electronics Corporation Harrisburg, PA 17105-3608	
		CHK	3/3/06			
DIMENSIONS:		S. FLICKINGER		NAME		
INCHES		S. FLICKINGER		CONNECTOR, SOCKET		
		APVD		SIZE #16,20,12 CONFIG.		
		S. FLICKINGER		LOWER DRAWER		
		PRODUCT SPEC		RESTRICTED TO		
		APPLICATION SPEC		SIZE	CAGE CODE	DRAWING NO
		WEIGHT		A3	00779	C-1648208
MATERIAL		FINISH		SCALE		
				1:1		
		CUSTOMER DRAWING		SHEET		REV
				2 of 2		B

AMP 1470-19 REV 31MAR2000