

4

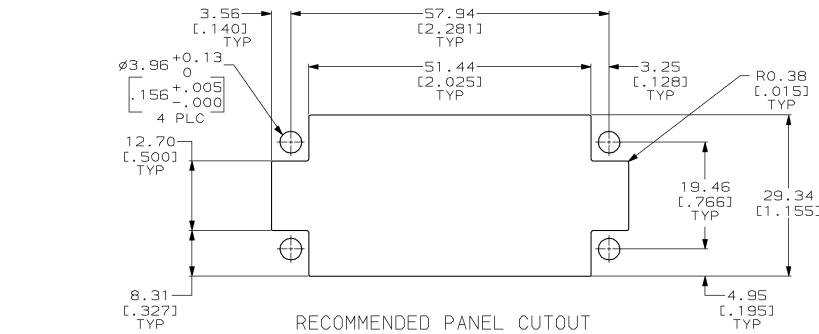
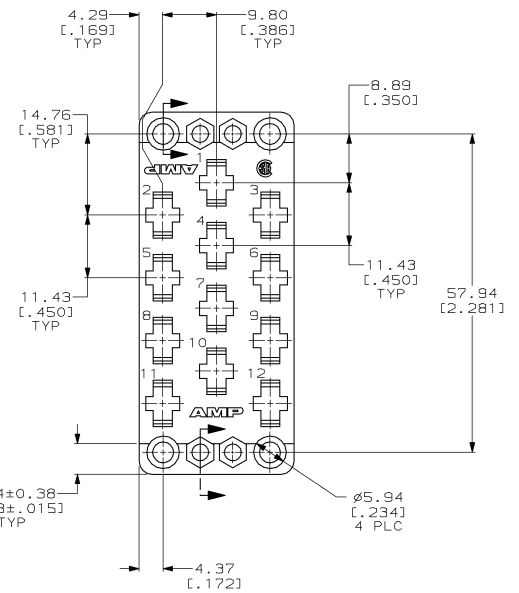
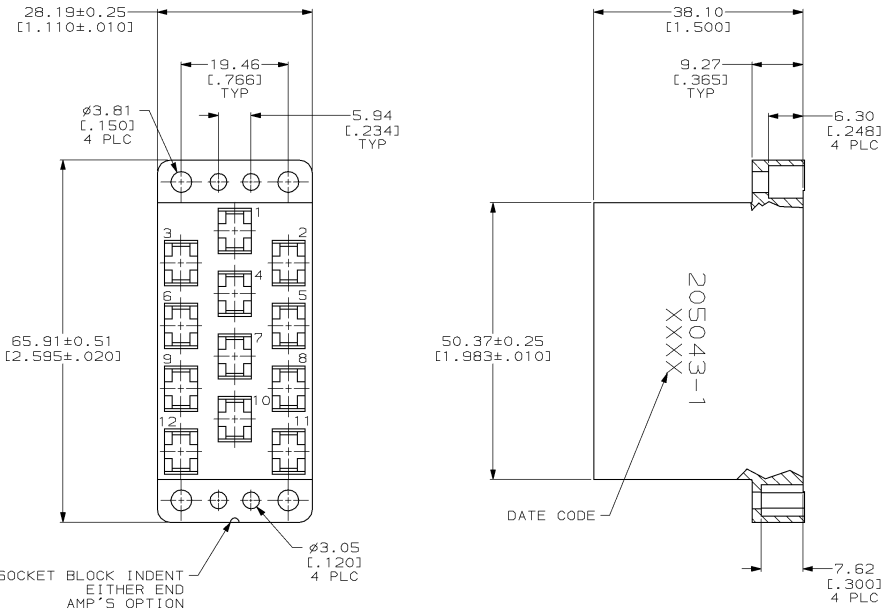
3

2

1

THIS DRAWING IS UNPUBLISHED. RELEASED FOR PUBLICATION BY AMP INCORPORATED. ALL RIGHTS RESERVED.

LOC	QTY	REV	DESCRIPTION	DATE	BY	APPD
FT	8	F				
		A	REDRAWN W/O CHANGE PER EC 0020-1299-95	12 MAR 96		



△ PHENOLIC PER MIL-M-14, TYPE CFG, BLACK.
2. MATES WITH BLOCK 205042.

205043-1
PART NUMBER

THIS DRAWING IS A CONTROLLED DOCUMENT.		DN C. BELESNYDER	12 MAR 96
DIMENSIONS mm (INCHES)		CHK R. STONE	15 MAR 96
DESIGNED BY R. A. STEINHAUER		DATE 25 JUN 96	NAME
MATERIAL △		FINISH -	HEIGHT -
APPLICATION SPEC -		SIZE A2	CAGE CODE 00779
CUSTOMER DRAWING		DRAWING NO C-205043	SCALE 2:1
		SHEET 1	REV A

205043

A