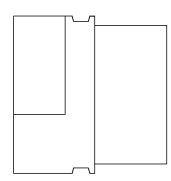
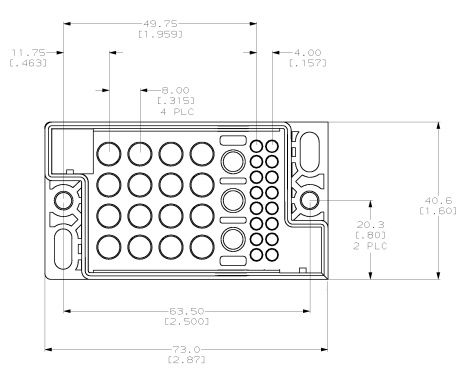
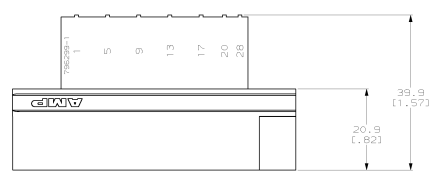


REV	DATE	REVISIONS	BY	CHK	APP
CH	11	0	RL50 PER RFR 1	245800	LJM



1. MATERIAL: POLYESTER PCT, BLACK.
2. POSITIONS 1-19 ARE FOR 3mm CONTACTS.
3. POSITIONS 20-35 ARE FOR SIZE 16 CONTACTS.
4. ALL DIMENSIONS, EXCEPT PANEL CUTOUTS, ARE REFERENCE ONLY.

796299-1
 PART NO.

THIS DRAWING IS A CONTROLLED DOCUMENT.		DATE	24 FEB 2001	AMP AMP Incorporated Harrisburg, PA 17105-3608
SYMBOLS	UNLESS OTHERWISE SPECIFIED	BY	RL50	
UNIT	MILLIMETERS	CHK	LJM	AMPPOWER® MULTI PIN PLUS HOUSING, RECEPTACLE 35 POSITION
SCALE	1:1	APP	LJM	
REVISIONS	DESCRIPTION	DATE	BY	CHK
1	REVISED TO ADD 35 POSITION	24 FEB 2001	RL50	LJM
2	REVISED TO ADD 35 POSITION	24 FEB 2001	RL50	LJM
3	REVISED TO ADD 35 POSITION	24 FEB 2001	RL50	LJM
4	REVISED TO ADD 35 POSITION	24 FEB 2001	RL50	LJM
5	REVISED TO ADD 35 POSITION	24 FEB 2001	RL50	LJM
6	REVISED TO ADD 35 POSITION	24 FEB 2001	RL50	LJM
7	REVISED TO ADD 35 POSITION	24 FEB 2001	RL50	LJM
8	REVISED TO ADD 35 POSITION	24 FEB 2001	RL50	LJM
9	REVISED TO ADD 35 POSITION	24 FEB 2001	RL50	LJM
10	REVISED TO ADD 35 POSITION	24 FEB 2001	RL50	LJM
11	REVISED TO ADD 35 POSITION	24 FEB 2001	RL50	LJM
12	REVISED TO ADD 35 POSITION	24 FEB 2001	RL50	LJM
13	REVISED TO ADD 35 POSITION	24 FEB 2001	RL50	LJM
14	REVISED TO ADD 35 POSITION	24 FEB 2001	RL50	LJM
15	REVISED TO ADD 35 POSITION	24 FEB 2001	RL50	LJM
16	REVISED TO ADD 35 POSITION	24 FEB 2001	RL50	LJM
17	REVISED TO ADD 35 POSITION	24 FEB 2001	RL50	LJM
18	REVISED TO ADD 35 POSITION	24 FEB 2001	RL50	LJM
19	REVISED TO ADD 35 POSITION	24 FEB 2001	RL50	LJM
20	REVISED TO ADD 35 POSITION	24 FEB 2001	RL50	LJM
21	REVISED TO ADD 35 POSITION	24 FEB 2001	RL50	LJM
22	REVISED TO ADD 35 POSITION	24 FEB 2001	RL50	LJM
23	REVISED TO ADD 35 POSITION	24 FEB 2001	RL50	LJM
24	REVISED TO ADD 35 POSITION	24 FEB 2001	RL50	LJM
25	REVISED TO ADD 35 POSITION	24 FEB 2001	RL50	LJM
26	REVISED TO ADD 35 POSITION	24 FEB 2001	RL50	LJM
27	REVISED TO ADD 35 POSITION	24 FEB 2001	RL50	LJM
28	REVISED TO ADD 35 POSITION	24 FEB 2001	RL50	LJM
29	REVISED TO ADD 35 POSITION	24 FEB 2001	RL50	LJM
30	REVISED TO ADD 35 POSITION	24 FEB 2001	RL50	LJM
31	REVISED TO ADD 35 POSITION	24 FEB 2001	RL50	LJM
32	REVISED TO ADD 35 POSITION	24 FEB 2001	RL50	LJM
33	REVISED TO ADD 35 POSITION	24 FEB 2001	RL50	LJM
34	REVISED TO ADD 35 POSITION	24 FEB 2001	RL50	LJM
35	REVISED TO ADD 35 POSITION	24 FEB 2001	RL50	LJM
36	REVISED TO ADD 35 POSITION	24 FEB 2001	RL50	LJM
37	REVISED TO ADD 35 POSITION	24 FEB 2001	RL50	LJM
38	REVISED TO ADD 35 POSITION	24 FEB 2001	RL50	LJM
39	REVISED TO ADD 35 POSITION	24 FEB 2001	RL50	LJM
40	REVISED TO ADD 35 POSITION	24 FEB 2001	RL50	LJM
41	REVISED TO ADD 35 POSITION	24 FEB 2001	RL50	LJM
42	REVISED TO ADD 35 POSITION	24 FEB 2001	RL50	LJM
43	REVISED TO ADD 35 POSITION	24 FEB 2001	RL50	LJM
44	REVISED TO ADD 35 POSITION	24 FEB 2001	RL50	LJM
45	REVISED TO ADD 35 POSITION	24 FEB 2001	RL50	LJM
46	REVISED TO ADD 35 POSITION	24 FEB 2001	RL50	LJM
47	REVISED TO ADD 35 POSITION	24 FEB 2001	RL50	LJM
48	REVISED TO ADD 35 POSITION	24 FEB 2001	RL50	LJM
49	REVISED TO ADD 35 POSITION	24 FEB 2001	RL50	LJM
50	REVISED TO ADD 35 POSITION	24 FEB 2001	RL50	LJM
51	REVISED TO ADD 35 POSITION	24 FEB 2001	RL50	LJM
52	REVISED TO ADD 35 POSITION	24 FEB 2001	RL50	LJM
53	REVISED TO ADD 35 POSITION	24 FEB 2001	RL50	LJM
54	REVISED TO ADD 35 POSITION	24 FEB 2001	RL50	LJM
55	REVISED TO ADD 35 POSITION	24 FEB 2001	RL50	LJM
56	REVISED TO ADD 35 POSITION	24 FEB 2001	RL50	LJM
57	REVISED TO ADD 35 POSITION	24 FEB 2001	RL50	LJM
58	REVISED TO ADD 35 POSITION	24 FEB 2001	RL50	LJM
59	REVISED TO ADD 35 POSITION	24 FEB 2001	RL50	LJM
60	REVISED TO ADD 35 POSITION	24 FEB 2001	RL50	LJM
61	REVISED TO ADD 35 POSITION	24 FEB 2001	RL50	LJM
62	REVISED TO ADD 35 POSITION	24 FEB 2001	RL50	LJM
63	REVISED TO ADD 35 POSITION	24 FEB 2001	RL50	LJM
64	REVISED TO ADD 35 POSITION	24 FEB 2001	RL50	LJM
65	REVISED TO ADD 35 POSITION	24 FEB 2001	RL50	LJM
66	REVISED TO ADD 35 POSITION	24 FEB 2001	RL50	LJM
67	REVISED TO ADD 35 POSITION	24 FEB 2001	RL50	LJM
68	REVISED TO ADD 35 POSITION	24 FEB 2001	RL50	LJM
69	REVISED TO ADD 35 POSITION	24 FEB 2001	RL50	LJM
70	REVISED TO ADD 35 POSITION	24 FEB 2001	RL50	LJM
71	REVISED TO ADD 35 POSITION	24 FEB 2001	RL50	LJM
72	REVISED TO ADD 35 POSITION	24 FEB 2001	RL50	LJM
73	REVISED TO ADD 35 POSITION	24 FEB 2001	RL50	LJM
74	REVISED TO ADD 35 POSITION	24 FEB 2001	RL50	LJM
75	REVISED TO ADD 35 POSITION	24 FEB 2001	RL50	LJM
76	REVISED TO ADD 35 POSITION	24 FEB 2001	RL50	LJM
77	REVISED TO ADD 35 POSITION	24 FEB 2001	RL50	LJM
78	REVISED TO ADD 35 POSITION	24 FEB 2001	RL50	LJM
79	REVISED TO ADD 35 POSITION	24 FEB 2001	RL50	LJM
80	REVISED TO ADD 35 POSITION	24 FEB 2001	RL50	LJM
81	REVISED TO ADD 35 POSITION	24 FEB 2001	RL50	LJM
82	REVISED TO ADD 35 POSITION	24 FEB 2001	RL50	LJM
83	REVISED TO ADD 35 POSITION	24 FEB 2001	RL50	LJM
84	REVISED TO ADD 35 POSITION	24 FEB 2001	RL50	LJM
85	REVISED TO ADD 35 POSITION	24 FEB 2001	RL50	LJM
86	REVISED TO ADD 35 POSITION	24 FEB 2001	RL50	LJM
87	REVISED TO ADD 35 POSITION	24 FEB 2001	RL50	LJM
88	REVISED TO ADD 35 POSITION	24 FEB 2001	RL50	LJM
89	REVISED TO ADD 35 POSITION	24 FEB 2001	RL50	LJM
90	REVISED TO ADD 35 POSITION	24 FEB 2001	RL50	LJM
91	REVISED TO ADD 35 POSITION	24 FEB 2001	RL50	LJM
92	REVISED TO ADD 35 POSITION	24 FEB 2001	RL50	LJM
93	REVISED TO ADD 35 POSITION	24 FEB 2001	RL50	LJM
94	REVISED TO ADD 35 POSITION	24 FEB 2001	RL50	LJM
95	REVISED TO ADD 35 POSITION	24 FEB 2001	RL50	LJM
96	REVISED TO ADD 35 POSITION	24 FEB 2001	RL50	LJM
97	REVISED TO ADD 35 POSITION	24 FEB 2001	RL50	LJM
98	REVISED TO ADD 35 POSITION	24 FEB 2001	RL50	LJM
99	REVISED TO ADD 35 POSITION	24 FEB 2001	RL50	LJM
100	REVISED TO ADD 35 POSITION	24 FEB 2001	RL50	LJM

