

4

3

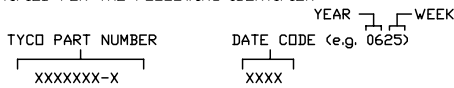
2

1

This drawing involves proprietary design rights of Tyco Electronics Corporation and all design, manufacture, reproduction, use and sale rights pertaining thereto are expressly reserved. It is submitted for a specific purpose and the recipient by accepting this drawing, assumes liability and control and agrees to take reasonable precautions (a) that this drawing will not be copied and reproduced in whole or in part, or its contents revealed in any manner, or to any person except to meet the purpose for which it was delivered and (b) that any special features peculiar to this design will not be incorporated in other projects without the expressed written permission of Tyco Electronics Corporation.

| REVISIONS |     |                                     |          |
|-----------|-----|-------------------------------------|----------|
| EC        | REV | DESCRIPTION                         | DATE     |
| CPR       | A   | NEW RELEASE, PREVIOUSLY CUD 299-313 | 03/29/06 |

- 8. REFERENCE ELCDN PART NUMBER 261-0006-01100.
- 7. SEE DRAWING C-1648167 FOR MATING SOCKET CONNECTOR.
- 6. ITEMS PROVIDED TO THIS SPECIFICATION TO BE PERMANENTLY IDENTIFIED PER THE FOLLOWING IDENTIFIER:



- 5. ALL DIMENSIONS SHOWN ACROSS A CENTERLINE (⌀) SHALL BE CENTRALIZED WITHIN THE TOLERANCE INDICATED FOR THAT DIMENSION.
- 4. A REFERENCE DIMENSION <.XXX> IS WITHOUT TOLERANCE AND USED FOR INFORMATION PURPOSE ONLY.

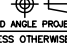


- 3. RECOMMENDED MOUNTING HARDWARE: TO BE ORDERED SEPARATELY.
  - FOR PANEL MOUNTING, USE
    - 1650402-1: SHOULDER SCREW, #8-32
    - 1650106-1: SHOULDER SCREW, #6-32
    - 1650589-1: SHOULDER SCREW, M4X0.7
  - FOR PCB MOUNTING, USE COMMERCIALLY AVAILABLE SCREW AND WASHER (IF REQUIRED).

- 2. MATERIALS:
  - HOUSING: THERMOPLASTIC, GLASS REINFORCED, COLOR-BLACK  
UL94V-0 FLAMMABILITY RATED.
  - RETENTION CLIP: COPPER ALLOY OR STAINLESS STEEL

- 1. PART NUMBER CHANGES AND OR DESIGN CHANGES AFFECTING ITEM INTERCHANGEABILITY REQUIRE PRIOR TYCO APPROVAL AND AUTHORIZATION BY REVISION TO THIS DRAWING.

NOTES: UNLESS OTHERWISE SPECIFIED

|             |             |
|-------------|-------------|
| 1648162-1   | AS SHOWN    |
| PART NUMBER | DESCRIPTION |

|  |   |                      |   |  |
|--|---|----------------------|---|--|
| <small>INCH<br/>MM</small><br>OR INCH (MM)<br><br><small>THIRD ANGLE PROJECTION</small> | DRAWN<br>HA NGUYEN<br>CHECKED   | DATE<br>03/29/06     |  Tyco Electronics Corporation<br>Menlo Park, Ca 94025<br> | TITLE<br>CONNECTOR, PIN HOUSING<br>4X#8, 24X#20, 9X#12, FLOAT MOUNT<br>75A MIDDLE DRAWER (CRIMP STYLE) |
| <small>UNLESS OTHERWISE SPECIFIED DIMENSIONS ARE IN INCHES (METRIC)</small><br>TOLERANCES<br>ANGLES ± .5°<br>DECIMALS<br>.XXX ± .010 (.25)<br>.XX ± .02 (.3)               | APPROVED<br>STEVE FLICKINGER<br>DCA APPROVED<br>HA NGUYEN<br>ACAD FILE NUMBER C1648162A.DWG | APPROVED<br>03/29/06 | SIZE DWG NUMBER<br>B C-1648162  | REV.<br>A  |
|  |   |                      | DWG SCALE 1=1   | SH 1 OF 3  |

4

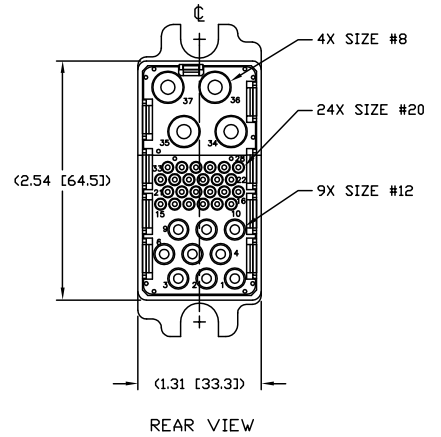
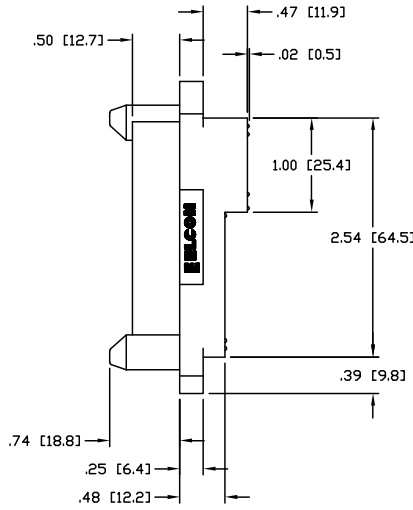
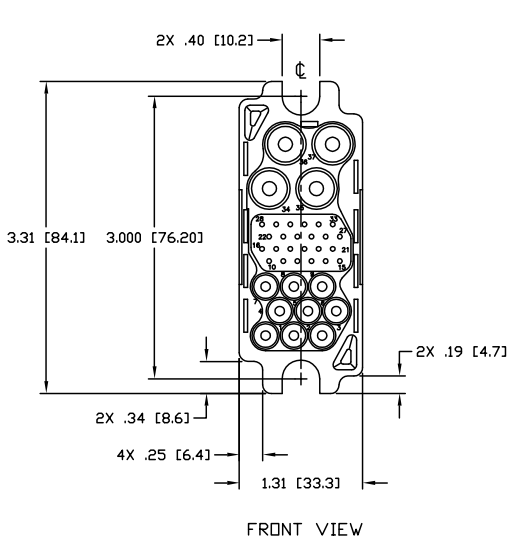
3

2

1

This drawing involves proprietary design rights of Tyco Electronics Corporation and all design, manufacture, reproduction, use and sale rights remaining the same are expressly reserved. It is submitted for a specific purpose and the recipient by accepting this drawing, assumes liability and control and agrees to take reasonable precautions (a) that this drawing will not be copied and reproduced in whole or in part, or its contents revealed in any manner, or to any person except to meet the purpose for which it was delivered and (b) that any special features peculiar to this design will not be incorporated in other projects without the expressed written permission of Tyco Electronics Corporation.

| REVISIONS |     |             |      |
|-----------|-----|-------------|------|
| EC        | REV | DESCRIPTION | DATE |
|           |     | SEE SHEET 1 |      |



|  |                  |               |   |
|--|------------------|---------------|---|
| INCH OR INCH (MM)<br><br>THIRD ANGLE PROJECTION<br>UNLESS OTHERWISE SPECIFIED DIMENSIONS ARE IN INCHES (METRIC)<br>TOLERANCES<br>ANGLES ± .5°<br>DECIMALS<br>.XXX ± .010 (.25)<br>.XX ± .02 (.5) | DRAWN            | DATE          | Tyco Electronics Corporation<br>Merito Park, Ca 94025   |
|  | HA NGUYEN        | 03/29/06      |   |
|  | CHECKED          |               | TITLE   |
|  | APPROVED         |               | CONNECTOR, PIN HOUSING<br>4X#8, 24X#20, 9X#12, FLOAT MOUNT<br>75A MIDDLE DRAWER (CRIMP STYLE) |
|  | APPROVED         |               | SIZE DWG NUMBER   |
|  | STEVE FLICKINGER | 03/29/06      | B C-1648162   |
|  | DCA APPROVED     |               | REV.  |
|  | HA NGUYEN        | 03/29/06      | A   |
|  | ACAD FILE NUMBER | C1648162A.DWG | DWG SCALE 1=1 SH 2 OF 3   |

4

3

2

1

4

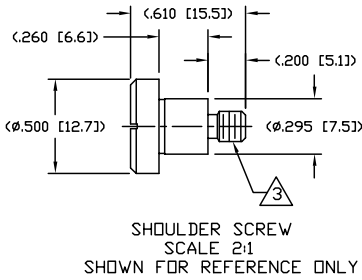
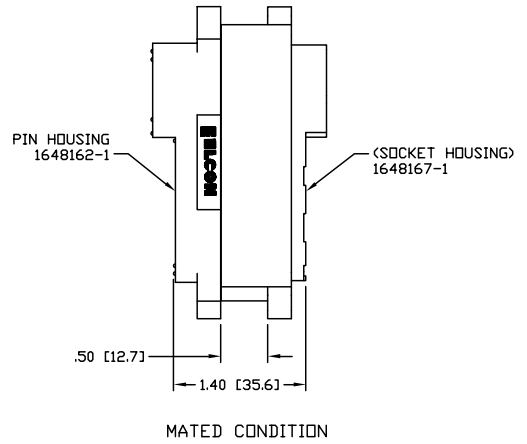
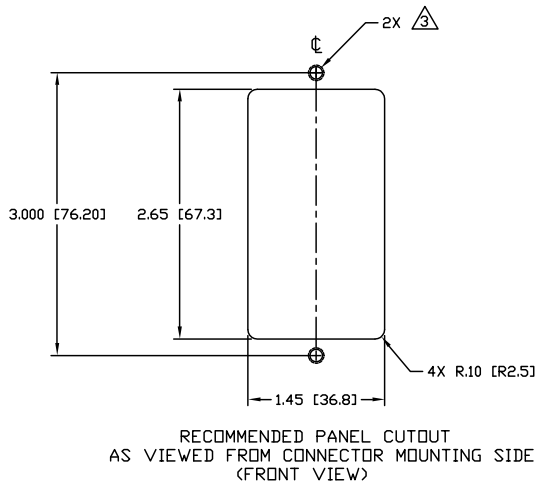
3

2

1

This drawing involves proprietary design rights of Tyco Electronics Corporation and all design, manufacturing, reproduction, use and sale rights pertaining thereto are expressly reserved. It is submitted for a specific purpose and the recipient by accepting this drawing, assumes liability and control and agrees to take reasonable precautions (a) that this drawing will not be copied and reproduced in whole or in part, or its contents revealed in any manner, or to any person except to meet the purpose for which it was delivered and (b) that any special features peculiar to this design will not be incorporated in other projects without the expressed written permission of Tyco Electronics Corporation.

| REVISIONS |     |             |      |
|-----------|-----|-------------|------|
| EC        | REV | DESCRIPTION | DATE |
|           |     | SEE SHEET 1 |      |



|  |                                   |                  |  |                         |
|--|-----------------------------------|------------------|--|-------------------------|
| INCH OR INCH (MM)<br><br>THIRD ANGLE PROJECTION<br>UNLESS OTHERWISE SPECIFIED DIMENSIONS ARE IN INCHES (METRIC)<br>TOLERANCES<br>ANGLES ± .5°<br>DECIMALS<br>.XXX ± .010 (.25)<br>.XX ± .02 (.5) | DRAWN<br>HA NGUYEN                | DATE<br>03/29/06 | <br>Tyco Electronics Corporation<br>Menlo Park, Ca 94025<br>                 |                         |
|  | CHECKED                           |                  | TITLE<br>USER INFORMATION<br>RECOMMENDED PANEL CUTOUT<br>AND MATED CONDITION |                         |
|  | APPROVED<br>STEVE FLICKINGER      | 03/29/06         | SIZE<br>B  | DWG NUMBER<br>C-1648162 |
|  | DCA APPROVED<br>HA NGUYEN         | 03/29/06         | REV.<br>A  |                         |
|  | ACAD FILE NUMBER<br>C1648162A.DWG |                  | DWG SCALE<br>1=1   | SH 3 OF 3               |