

4

3

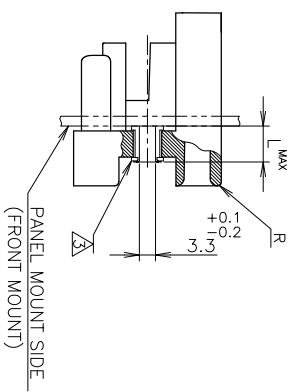
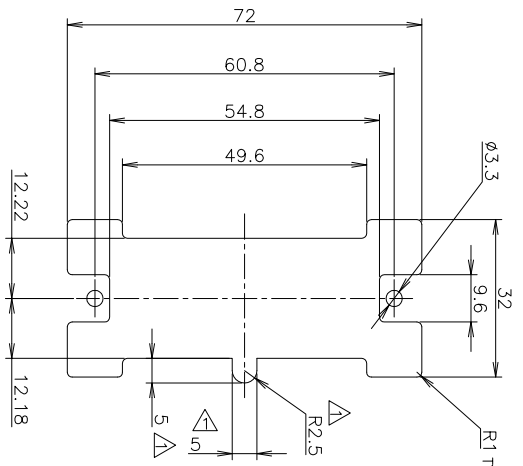
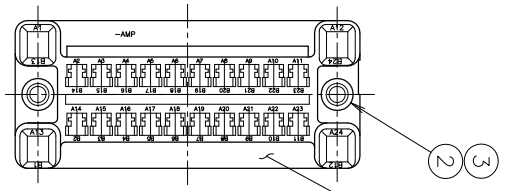
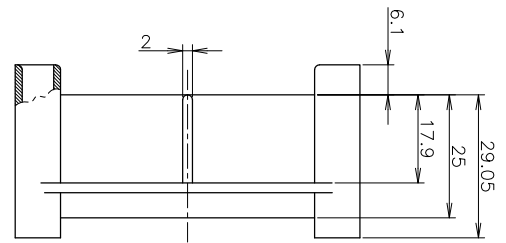
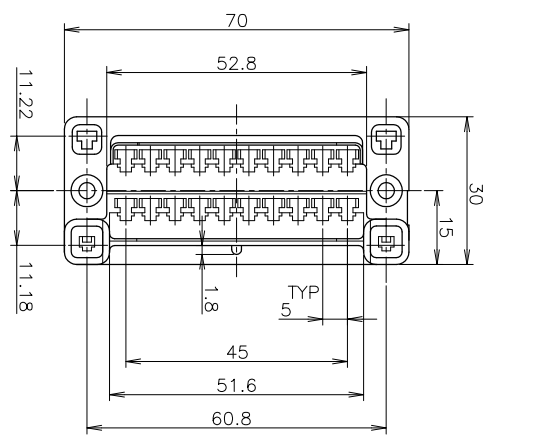
2

1

THIS DRAWING IS UNPUBLISHED.
COPYRIGHT 1990 BY TYCO ELECTRONICS CORPORATION. ALL RIGHTS RESERVED.

RELEASED FOR PUBLICATION
SEP. 1990.

LOC	DIST	REVISONS	
J		DESCRIPTION	DATE
		F LTR	DMN
		B REVISED	APRD
		ECR-06-009116	18APR06
		C,Z	S,Y



THIS DIMENSION USELESS IN CASE OF REAR MOUNTING.

CONTACT P/N
DRAWER CONTACT (20EA)
AWG#24~#20 P/N: 170311-1, 170313-1
AWG#20~#16 P/N: 170484-1, 170485-1
MIC CONTACT (4EA)

TAB CONTACT P/N: 170221-4, 170222-3 (Au PL: 0.76u)
RECEPTACLE CONTACT P/N: 170286-4, 170289-3 (Au PL: 0.76u)
P/N: 170286-2, 170289-2 (Au PL: 0.76u)

GENERAL TOLERANCE	10 ≥ : ±0.2
	30 ≥ > 10: ±0.25
	100 ≥ > 30: ±0.3
	ANGLES ±1.3°

QTY READ PER ASSY	-2	-1	△ FLOATING ALLOWANCE	NAME	L MAX	MATERIAL (FINISH)	ITEM
	2	2	LONGITUDINAL	BUSH 5.0 DIA	7.9	BRASS (NICKEL)	③
	2	2	LATERAL	BUSH 5.66 DIA	7.4	BRASS (NICKEL)	②
	1	1	LONGITUDINAL	HSG 24P HIGH CURRENT DRAWER	7.4	PBT (BLUE)	①
	1	1	LATERAL				

THIS DRAWING IS A CONTROLLED DOCUMENT.		DMN	07SEPOS	NAME	24 POSITION HIGH CURRENT DRAWER WITH BUSH
DIMENSIONS: mm		CHK	07SEPOS	APRD	
TOLERANCES UNLESS OTHERWISE SPECIFIED:		C.ZHU	07SEPOS	S.YAO	
0 P.C. ±		PRODUCT SPEC		APPLICATION SPEC	
1 P.C. ±		CUSTOMER DRAWING		WEIGHT	
2 P.C. ±		SIZE		CAGE CODE	DRAWING NO
3 P.C. ±		A3		00779	5176916
4 P.C. ±		SCALE		1:1	
FINISH		SHEET		1	OF 1
SEE TABLE		REV		1	B