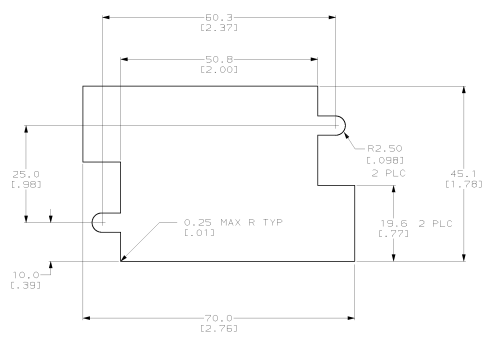


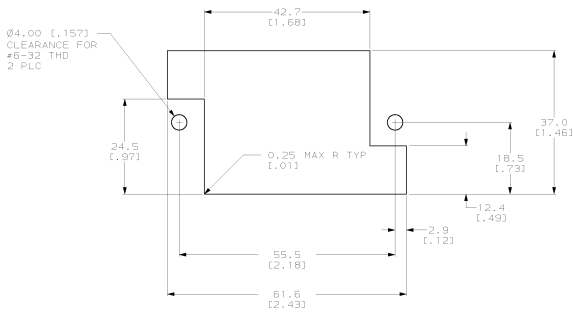


REVISED FOR FUNCTION	DATE
BY: [REDACTED]	BY: [REDACTED]

NO.	REV.	DATE	DESCRIPTION	BY	CHK	APP
CH	11		SEE SHEET 1			



RECOMMENDED FLOAT MOUNT PANEL CUTOUT #5  
EXTERNAL VIEW



RECOMMENDED STATIONARY MOUNT PANEL CUTOUT #6  
EXTERNAL VIEW

THIS DRAWING IS A CONTROLLED DOCUMENT.		NO. IN FILE	20/0070
REVISED FOR FUNCTION		DATE	194243
BY: [REDACTED]		BY: [REDACTED]	
CHECKED BY: [REDACTED]		DATE: [REDACTED]	
MATERIAL: [REDACTED]		QUANTITY: [REDACTED]	
FINISH: [REDACTED]		REVISION: [REDACTED]	
CUSTOMER DRAWING		AMP Incorporated	Harrisburg, PA 17105-3608
AMP Incorporated		AMPONER Multi Pin Plus HOUSING, RECEPTACLE	
SITE: 102 002		PROJECT NO:	
PART NO: A1100779		REV: 2/1	194243