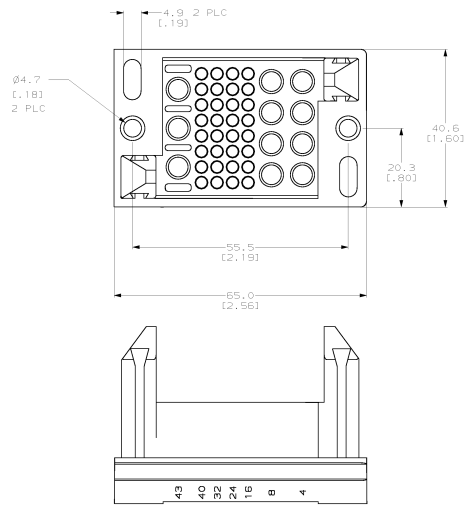
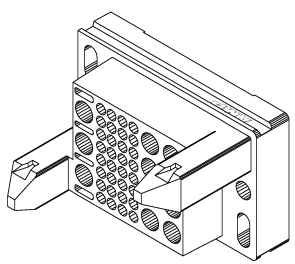
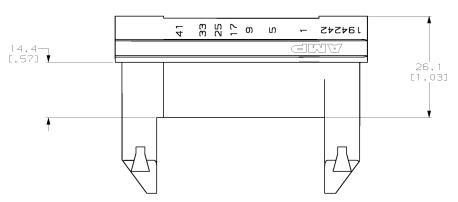


REVISIONS		
REV.	DESCRIPTION	DATE
A	EC OB20-0551-97	20/06/98 DAF RAR
B	EC OB20-0126-98	22/06/98 DAF RAR
C	EC OB20-1216-98	29/09/98 RFP RAR



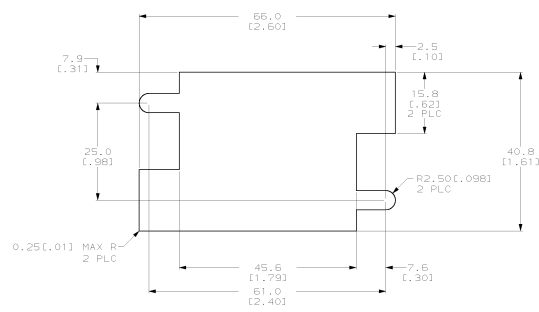
194242-1  
PART NO

1. POSITIONS 1-8 ARE FOR 3mm CONTACTS.
2. POSITIONS 9-40 ARE FOR SIZE 16 CONTACTS.
3. POSITIONS 41-43 ARE FOR 3mm CONTACTS.
4. INSERTS ARE NOT REQUIRED WHEN FLOAT MOUNTING.
5. ALL DIMENSIONS EXCEPT PANEL CUTOUTS ARE REFERENCE ONLY.

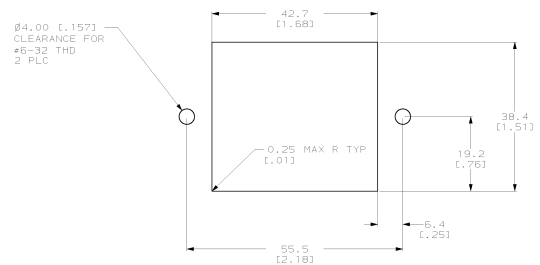
MATERIALS		REV.	DATE	AMP	
				AMP Incorporated	
				Harrisburg, PA 17105-3608	
				AMPOWER Multi Pin Plus	
				HOUSING, PLUG 43 POSITION	

8	7	6	5	4	3	2	1	194242
THIS DRAWING IS UNCLASSIFIED		REVISION FOR REVISION		DATE		BY		
(S) CONTROL IS		BY AN INSTRUMENT		REVISION NUMBER				

REV	BY	DATE	DESCRIPTION
1	CH	11	SEE SHEET 1



RECOMMENDED FLOAT MOUNT PANEL CUTOUT #7  
EXTERNAL VIEW



RECOMMENDED STATIONARY MOUNT PANEL CUTOUT #6  
EXTERNAL VIEW

THIS DRAWING IS A CONTROLLED DOCUMENT.		DC	4	2005	AMP Incorporated Harrisburg, PA 17105-3600
DATE	REV	BY	CHK	APP	
DATE	REV	BY	CHK	APP	AMPONER Multi Pin Plus HOUSING, PLUG 43 POSITION
DATE	REV	BY	CHK	APP	
MATERIAL	FINISH	QTY	UNIT	PRICE	SITE: 10000000 DRAWING NO: A1100779 REV: 2/11/99
CUSTOMER DRAWING					194242