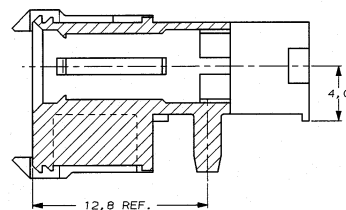
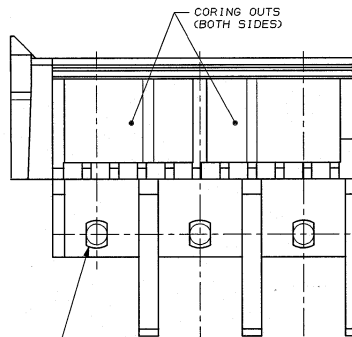
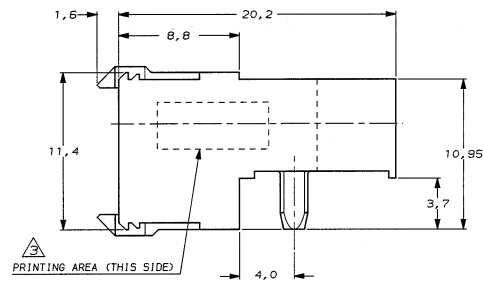
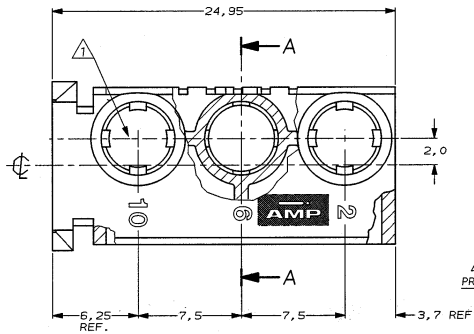


DO NOT SCALE
DIMENSIONS IN mm

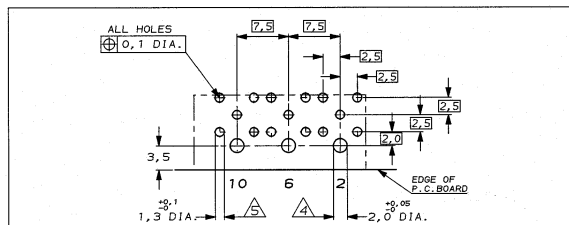
METRIC

THIRD ANGLE
PROJECTION



SECTION A-A

FIXING NIPPLE (3x)
(PRESS FIT)



RECOMMENDED PCB-HOLE LAY-OUT
COMPONENT SIDE

PRELIMINARY

- △ CONTACT CAVITIES SUITABLE FOR 4,8 DIA. HIGH CURRENT, HIGH FREQUENCY OR FIBRE OPTIC CONTACTS AS PER DIN 41626 (SEE ALSO NOTE 5).
- △ MATERIAL HOUSING : GREY GLASSFILLED POLYESTER.
- △ CONNECTOR PRINTED WITH PARTNUMBER AND DATECODE.
- △ NOT PLATED-THROUGH HOLES (3x).
- △ 1,3 DIA. PLATED-THROUGH HOLES (15x) CAN BE OMITTED IF SPECIAL CONTACTS WITH CABLE CONNECTION OR FIBRE OPTIC CONTACTS ARE USED.

FINISH		MATERIAL		PARTNUMBER	
—	—	—	—	100752-1	
CUSTOMER DRAWING FOR REFERENCE ONLY					
© COPYRIGHT 1993 BY AMP HOLLAND B.V.					
ALL INTERNATIONAL RIGHTS RESERVED. AMP PRODUCTS MAY BE COVERED BY U.S. AND FOREIGN AND/OR PATENTS PENDING.					
THIS DRAWING IS UNPUBLISHED					
REFERENCE—FOR INFORMATION					
AMP		AMP HOLLAND B.V. 's-Hertogenbosch, The Netherlands.			
B	EH-0720-95	E.D.	B.N.	29-06-95	NAME
A	H-9585	B.H.	B.N.	01-10-85	Z-PACK 2mm HM
TYPE N FEMALE CONNECTOR HOUSING					
DR.	S. MEIJSEN	CHK.	L. J. SEEST	APP.	L.Y. SEEST
DATE:	17 MAR 92	DATE:	10 APR 1992	DATE:	13 APR 1992
DWS. NO. C-100752		REV. LTR. B		SHEET 1 of 1	