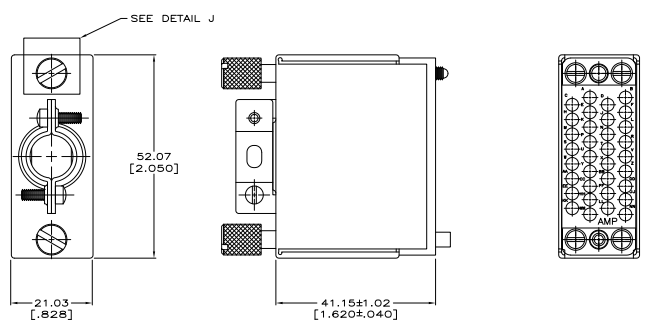
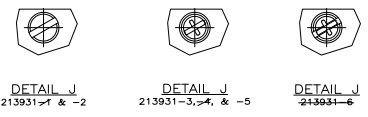
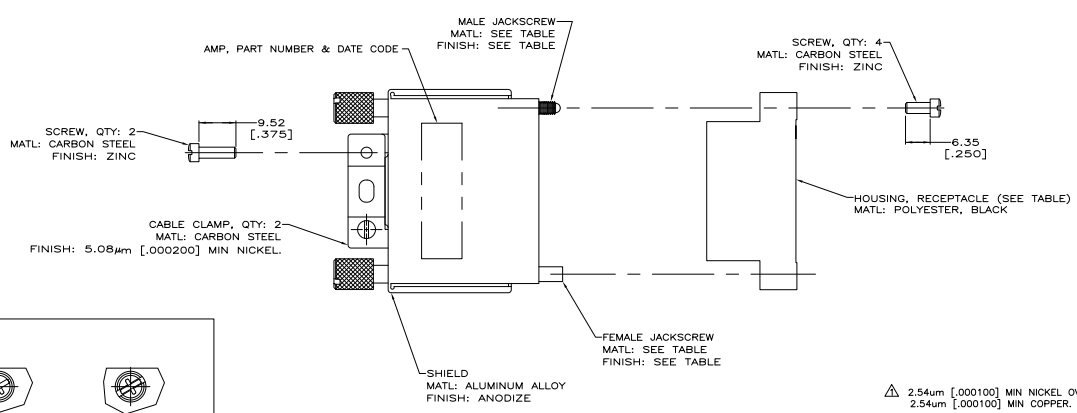


THIS DRAWING IS UNPUBLISHED. ALL RIGHTS RESERVED.
 © 2015 TYS ELECTRONICS CORPORATION

REV	DATE	DESCRIPTION	BY	CHK	APP
K1	REVISED PER ECO-06-13342				SS GS
K2	REVISED PER ECO-09-021804				OTAWA10 KK AEG



△ 2.54µm [.000100] MIN NICKEL OVER
 2.54µm [.000100] MIN COPPER.

△ OBSOLETE PARTS: OBSOLETE CIS STREAMLINING PER D.RENAUD/D.SINISI

RECEPTACLE HOUSING	CABLE RANGE DIA	PACKAGING	FINISH	MATERIAL	PART NUMBER	
△ OBSOLETE	YES	7.62-11.43 [.300-.450]	BULK	-	STAINLESS STEEL	213931-9-
△ OBSOLETE	YES	11.05-13.84 [.435-.545]	INDIVIDUAL	-	STAINLESS STEEL	213931-8-
△ OBSOLETE	YES	11.05-13.84 [.435-.545]	BULK	△	ZINC	213931-7-
△ OBSOLETE	NO	11.05-13.84 [.435-.545]	INDIVIDUAL	△	ZINC	213931-6
△ OBSOLETE	YES	7.62-11.43 [.300-.450]	INDIVIDUAL	△	ZINC	213931-5
△ OBSOLETE	NO	11.05-13.84 [.435-.545]	INDIVIDUAL	△	ZINC	213931-4-
△ OBSOLETE	YES	11.05-13.84 [.435-.545]	INDIVIDUAL	-	ZINC	213931-3
△ OBSOLETE	YES	7.62-11.43 [.300-.450]	INDIVIDUAL	-	STAINLESS STEEL	213931-2
△ OBSOLETE	YES	11.05-13.84 [.435-.545]	BULK	-	STAINLESS STEEL	213931-1-

THIS DRAWING IS A CONTROLLED DOCUMENT.

INCHES: 1/16, 1/8, 3/16, 1/4, 5/16, 3/8, 7/16, 1/2, 5/8, 3/4, 7/8, 1

MILLIMETERS: 1.5, 3, 4.5, 6, 7.5, 9, 10.5, 12, 13.5, 15, 16.5, 18, 19.5, 21, 22.5, 24, 25.5, 27, 28.5, 30

UNLESS SPECIFIED OTHERWISE, ALL DIMENSIONS ARE TO BE TAKEN TO THE CENTER OF THE FEATURE UNLESS OTHERWISE SPECIFIED.

SEE CALLOUTS

DATE: 00779
 DRAWING NO: 213931
 CUSTOMER DRAWING

DATE: 2-1

REV: 1

APP: K2