

4	3	2	1
REVISIONS			
EC	REV	DESCRIPTION	DATE
CPR	A	NEW RELEASE	03/04/06

This drawing involves proprietary design rights of Tyco Electronics Corporation, and all design, manufacture, reproduction, use and sale rights regarding the same are expressly reserved. It is submitted for a specific purpose and the recipient by accepting this drawing, assumes custody and control and agrees to take reasonable precautions: (a) that this drawing will not be copied and reproduced, in whole or in part, or its contents, revealed in any manner, or in any form, except to meet the purpose for which it was delivered and (b) that any special features peculiar to this design will not be incorporated in other projects without the expressed written permission of Tyco Electronics Corporation.

TYPICAL SPECIFICATION TABLE			
POSITION	CONTACT SIZE	RATING	VOLTAGE RATING
1 - 3	#12	35 AMPERES	250 VOLTS
4 - 19	#20	5 AMPERES	250 VOLTS
20 - 22	#12	35 AMPERES	250 VOLTS

6. ITEMS PROVIDED TO THIS SPECIFICATION TO BE PERMANENTLY IDENTIFIED PER THE FOLLOWING IDENTIFIER:

YEAR WEEK

TYCO PART NUMBER DATE CODE (e.g. 0625)

|-----| |-----|

XXXXXXXX-X XXXX

5. ALL DIMENSIONS SHOWN ACROSS A CENTERLINE (⊥) SHALL BE CENTRALIZED WITHIN THE TOLERANCE INDICATED FOR THAT DIMENSION.

4. A REFERENCE DIMENSION (.XXX) IS WITHOUT TOLERANCE AND USED FOR INFORMATION PURPOSE ONLY.

3. RECOMMENDED MOUNTING HARDWARE: TO BE ORDERED SEPARATELY.

- FOR PANEL MOUNTING, USE
 - 1650402-1: SHOULDER SCREW, #8-32
 - 1650106-1: SHOULDER SCREW, #6-32
 - 1650589-1: SHOULDER SCREW, M4X0.7
- FOR PCB MOUNTING, USE COMMERCIALY AVAILABLE SCREW AND WASHER (IF REQUIRED).

2. MATERIALS:

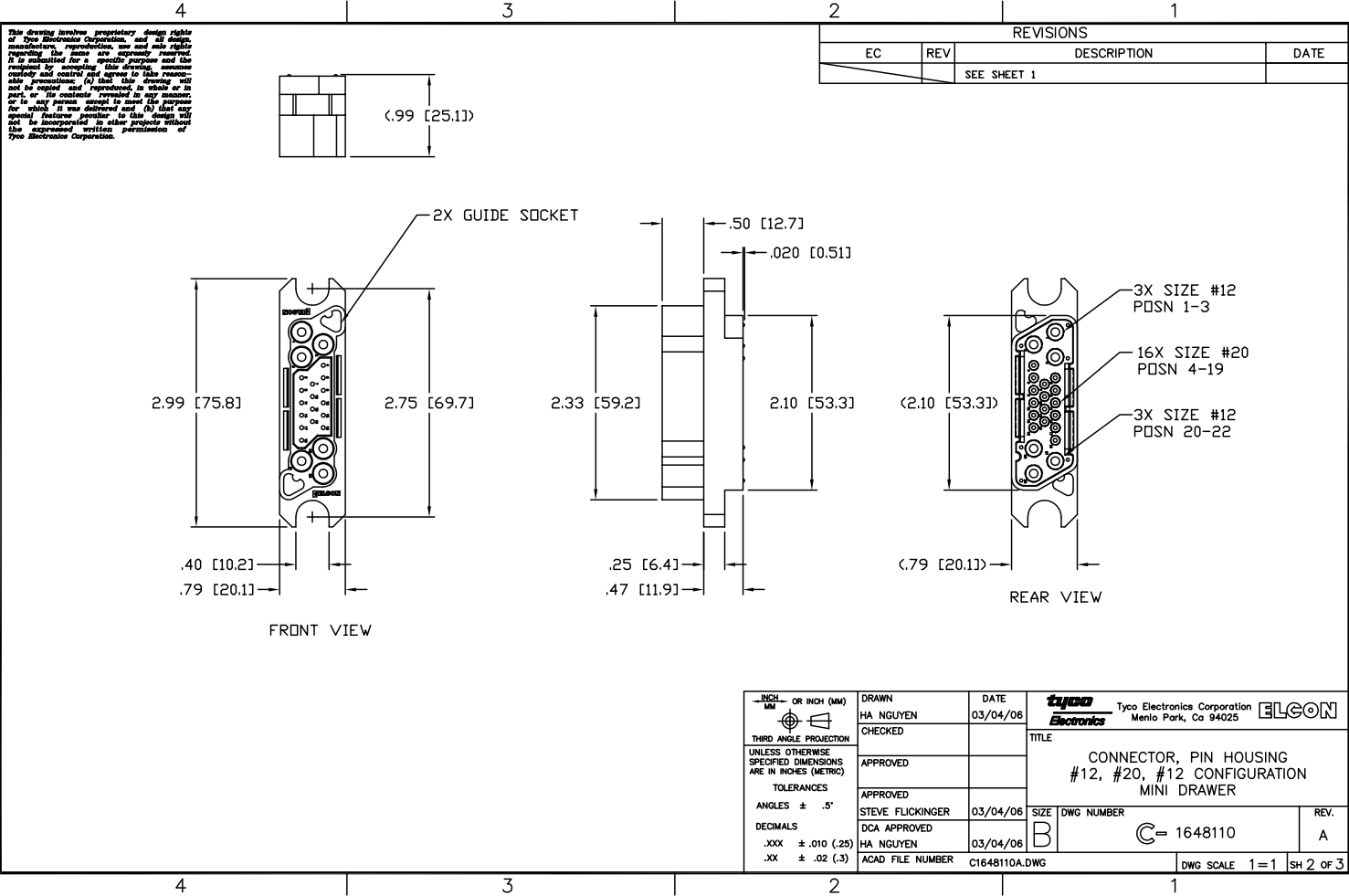
HOUSING: THERMOPLASTIC, GLASS REINFORCED, COLOR-BLACK
UL94V-0 FLAMMABILITY RATED.

RETENTION CLIP: COPPER ALLOY OR STAINLESS STEEL

1. PART NUMBER CHANGES AND OR DESIGN CHANGES AFFECTING ITEM INTERCHANGEABILITY REQUIRE PRIOR ELCON APPROVAL AND AUTHORIZATION BY REVISION TO THIS DRAWING.

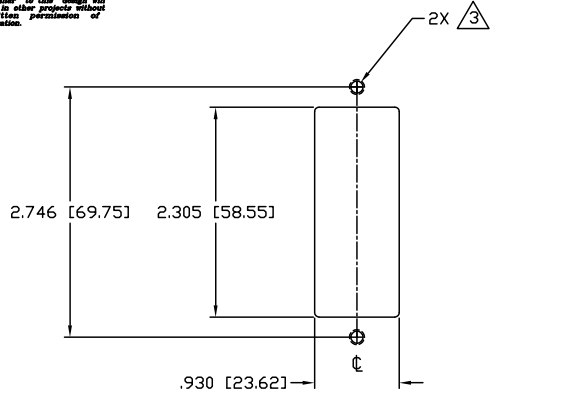
NOTES: UNLESS OTHERWISE SPECIFIED

1648110-1	AS SHOWN																																													
PART NUMBER	DESCRIPTION																																													
Tyco Electronics Corporation Menlo Park, Ca 94025																																														
TITLE CONNECTOR, PIN HOUSING #12, #20, #12 CONFIGURATION MINI DRAWER																																														
UNLESS OTHERWISE SPECIFIED DIMENSIONS ARE IN INCHES (METRIC)	<table border="1" style="width:100%; border-collapse: collapse;"> <tr> <td style="width:15%;">DRAWN</td> <td style="width:15%;">DATE</td> <td style="width:15%;">SIZE</td> <td style="width:15%;">DWG NUMBER</td> <td style="width:15%;">REV.</td> </tr> <tr> <td>HA NGUYEN</td> <td>03/04/06</td> <td>B</td> <td>C- 1648110</td> <td>A</td> </tr> <tr> <td>CHECKED</td> <td></td> <td></td> <td></td> <td></td> </tr> <tr> <td>APPROVED</td> <td></td> <td></td> <td></td> <td></td> </tr> <tr> <td>APPROVED</td> <td></td> <td></td> <td></td> <td></td> </tr> <tr> <td>STEVE FLICKINGER</td> <td>03/04/06</td> <td></td> <td></td> <td></td> </tr> <tr> <td>DCA APPROVED</td> <td></td> <td></td> <td></td> <td></td> </tr> <tr> <td>HA NGUYEN</td> <td>03/04/06</td> <td></td> <td></td> <td></td> </tr> <tr> <td>ACAD FILE NUMBER</td> <td>C1648110A.DWG</td> <td></td> <td></td> <td></td> </tr> </table>	DRAWN	DATE	SIZE	DWG NUMBER	REV.	HA NGUYEN	03/04/06	B	C- 1648110	A	CHECKED					APPROVED					APPROVED					STEVE FLICKINGER	03/04/06				DCA APPROVED					HA NGUYEN	03/04/06				ACAD FILE NUMBER	C1648110A.DWG			
DRAWN	DATE	SIZE	DWG NUMBER	REV.																																										
HA NGUYEN	03/04/06	B	C- 1648110	A																																										
CHECKED																																														
APPROVED																																														
APPROVED																																														
STEVE FLICKINGER	03/04/06																																													
DCA APPROVED																																														
HA NGUYEN	03/04/06																																													
ACAD FILE NUMBER	C1648110A.DWG																																													
DWG SCALE 1=1 SH 1 OF 3																																														

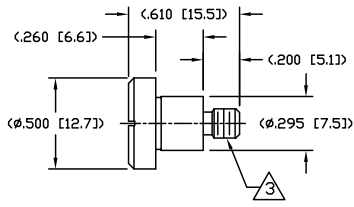


This drawing involves proprietary design rights of Tyco Electronics Corporation, and all design, manufacture, reproduction, use and sale rights regarding the same are expressly reserved. It is submitted for a specific purpose and the recipient by accepting this drawing, assumes custody and control and agrees to take reasonable precautions: (a) that this drawing will not be copied and reproduced in whole or in part, or its contents, revealed in any manner, or in any form, except in most (b) purpose for which it was delivered and (c) that any special features peculiar to this design will not be incorporated in other projects without the expressed written permission of Tyco Electronics Corporation.

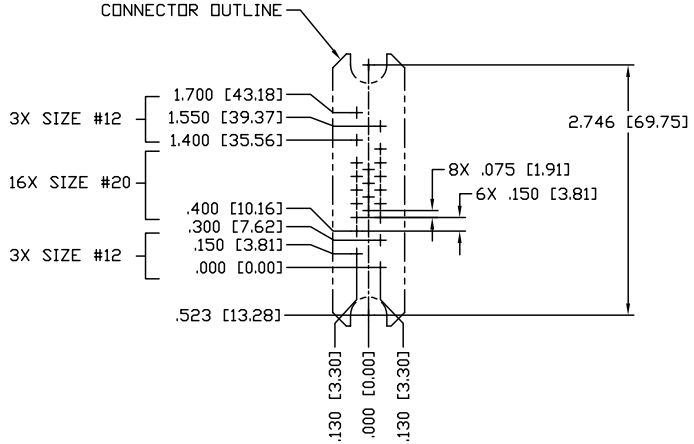
REVISIONS			
EC	REV	DESCRIPTION	DATE
		SEE SHEET 1	



RECOMMENDED PANEL CUTOUT
AS VIEWED FROM CONNECTOR MOUNTING SIDE
(FRONT VIEW)



SHOULDER SCREW
SCALE 2:1
SHOWN FOR REFERENCE ONLY



CONNECTOR OUTLINE
CONTACT LAYOUT
AS VIEWED FROM CONNECTOR MOUNTING SIDE
(FRONT VIEW)

<small>INCH OR INCH (MM)</small> 	DRAWN	DATE	Tyco Electronics Corporation Menlo Park, Ca 94025
	HA NGUYEN	03/04/06	
THIRD ANGLE PROJECTION	CHECKED		USER INFORMATION RECOMMENDED PANEL CUTOUT AND CONTACT LAYOUT
UNLESS OTHERWISE SPECIFIED DIMENSIONS ARE IN INCHES (METRIC)	APPROVED		
TOLERANCES	APPROVED		
ANGLES $\pm .5^\circ$	STEVE FLICKINGER	03/04/06	
DECIMALS	DCA APPROVED		SIZE DWG NUMBER
.XXX $\pm .010 (.25)$	HA NGUYEN	03/04/06	B C-1648110
.XX $\pm .02 (.5)$	ACAD FILE NUMBER	C1648110A.DWG	REV. A
			DWG SCALE 1=1 SH 3 OF 3

4 3 2 1

B
A

4 3 2 1