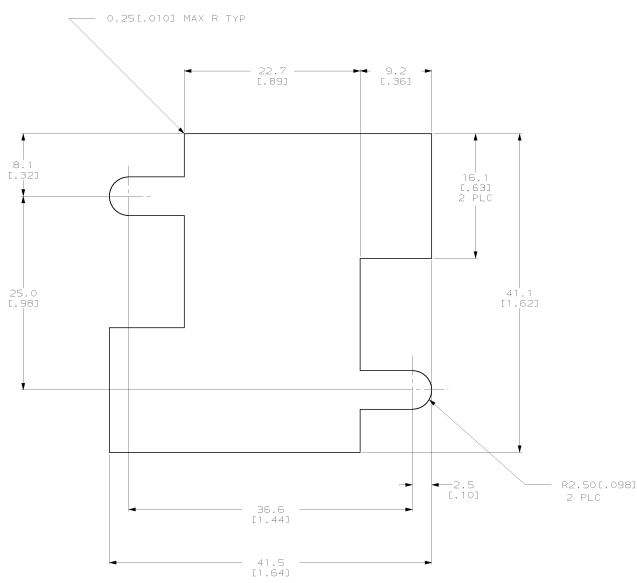


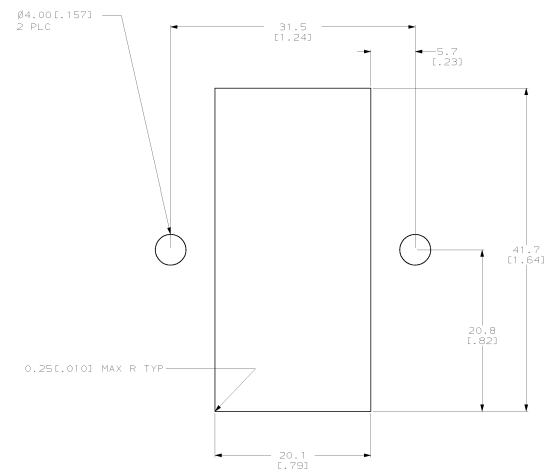
1. MATERIAL: POLYESTER PCT; BLACK.
 2. POSITIONS 1 THRU 9 ARE FOR SIZE 16 CONTACTS.
 3. POSITIONS 9 THRU 11 ARE FOR 3mm CONTACTS.
 4. ALL DIMENSIONS EXCEPT PANEL CUTOUTS ARE REFERENCE ONLY.
- ⚠ POSITION 9 AND 11 HAVE BEEN MODIFIED TO RECESS THE CONTACTS 5.0x.1971.

194278-1 PART NUMBER	
AMP Incorporated Horsholm, PA 17105-3608	
AMPPOWER Multi Pin Plus HOUSING, PLUG 11 POSITION	
TITLE: 194278 PART NO: 194278	FILE: A1100779 DATE: 10/20/00
CUSTOMER DRAWING	

REV		REVISIONS	
NO	DATE	DESCRIPTION	BY
0		SEE SHEET 1	



RECOMMENDED FLOAT MOUNT PANEL CUTOUT
 EXTERNAL VIEW



RECOMMENDED STATIONARY MOUNT PANEL CUTOUT
 EXTERNAL VIEW

THIS DRAWING IS A CONTROLLED DOCUMENT.		QC	BY	DATE	AMP Incorporated Horsham, PA 17105-3608
DESIGNED	BY	BY	BY	DATE	
DRW	CHK	APP	APP	DATE	AMPPOWER Multi Pin Plus HOUSING, PLUS, 11 POSITION
REV	REV	REV	REV	DATE	SEE ONE SIDE DRAWING NO A 00778 194278
CUSTOMER DRAWING		DATE	BY	DATE	11 19 20 11 20 11 20