

4

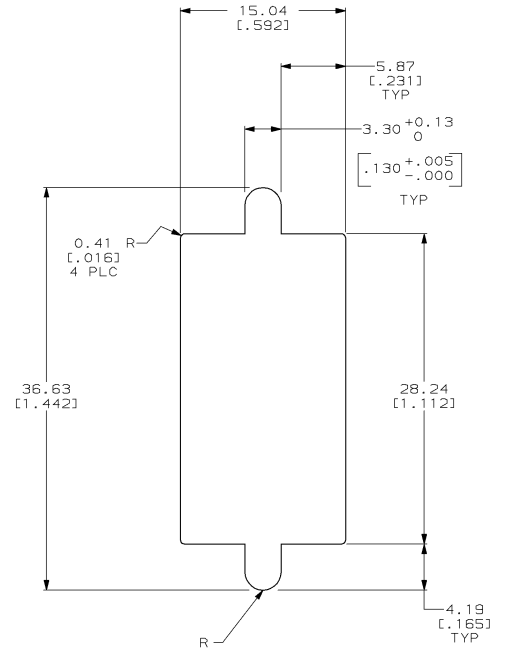
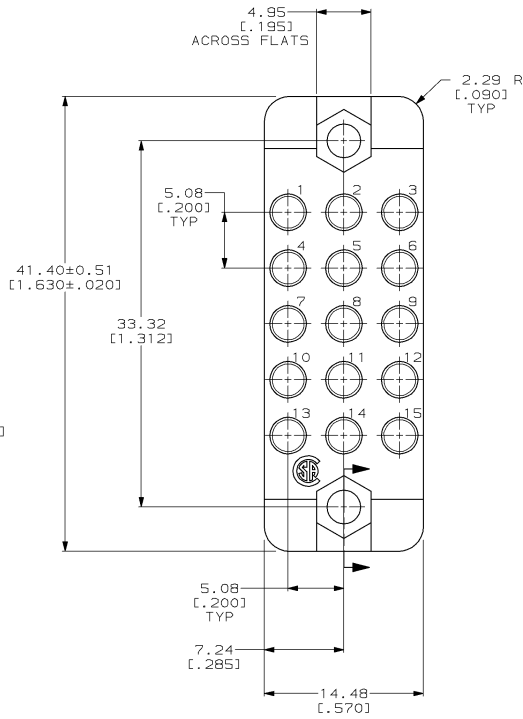
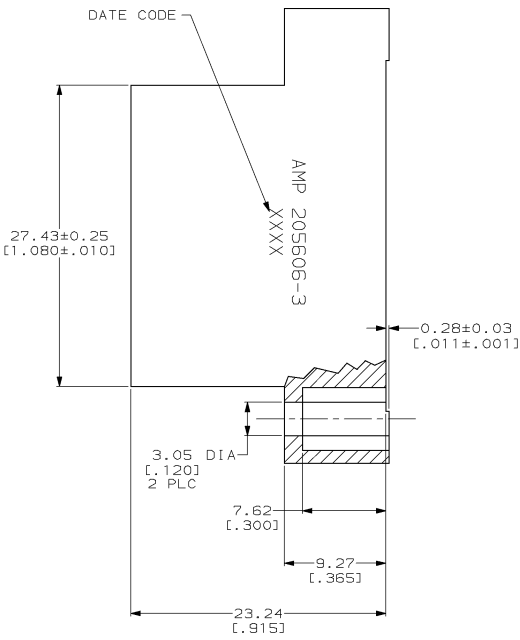
3

2

1

THIS DRAWING IS UNPUBLISHED. RELEASED FOR PUBLICATION BY AMP INCORPORATED. ALL RIGHTS RESERVED. © COPYRIGHT 19

REVISONS		DATE	BY	APPD
FT	8			
E		08 AUG 96		



- 1. PHENOLIC PER MIL-M-14, TYPE CFG, BLACK.
- 2. MATES WITH BLOCK 205607.
- 3. ACCOMMODATES 15 TYPE II, OR TYPE III+ SIZE #16 SOCKET CONTACTS.

THIS DRAWING IS A CONTROLLED DOCUMENT.		DN: S. CARBO 08 AUG 96	AMP AMP Incorporated Harrisburg, PA 17105-3608		
DIMENSIONS: mm (INCHES)		CHK: R. STONE 25 JUN 97			
DESIGNED BY: R. STEINHAUER		DATE: 02 SEP 97	BLOCK, SOCKET, 15 POSITION, .200 GRID, M SERIES		
MATERIAL:		FINISH: -	SIZE: A2	CAGE CODE: 00779	DRAWING NO: ©-205606
CUSTOMER DRAWING		SCALE: 4:1	SHEET: 1	OF: 1	REV: F

205606

A