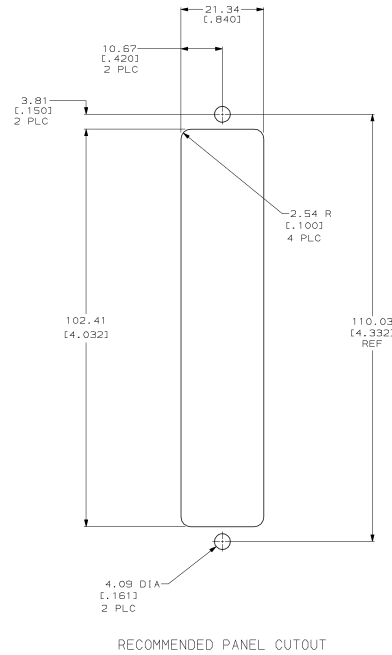
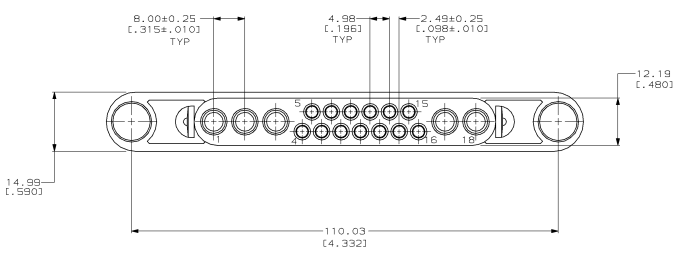
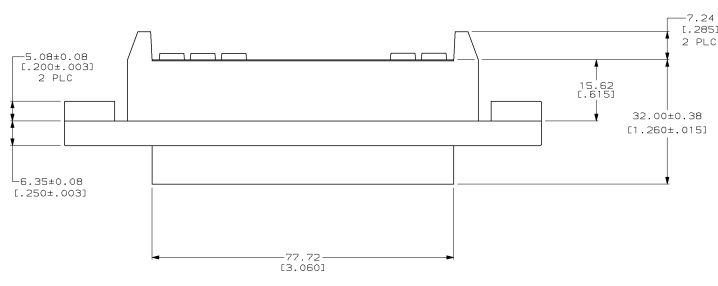
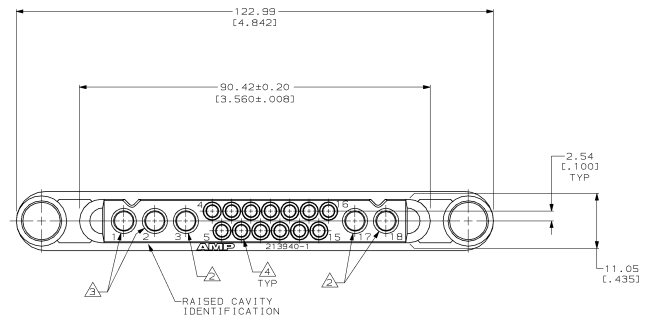


THIS DRAWING IS UNCLASSIFIED
 UNLESS INDICATED OTHERWISE
 BY AMP INCORPORATED. ALL RIGHTS RESERVED.

REV	DATE	DESCRIPTION	BY	CHK	APP
0		RLSE -1 PER NPR 5550			
1		MAS 95-5018-27-1			



- ▲ POLYESTER, UL94V-0, BLACK.
- ▲ ACCEPTS POWERBAND SOCKET CONTACTS.
- ▲ ACCEPTS SIZE VIII SOCKET CONTACTS.
- ▲ ACCEPTS TYPE III + SOCKET CONTACTS.

213940-1
 PART NUMBER

UNLESS OTHERWISE SPECIFIED: DIMENSIONS ARE IN MILLIMETERS DIMENSIONS IN PARENTHESES ARE IN INCHES		DATE: 09 JUL 95 DRAWN BY: J. STONE CHECKED BY: J. STONE APPROVED BY: J. STONE		AMP AMP Incorporated Harrisburg, PA 17105-3608	
ORDERING AND CONTACT INFORMATION: AMP CONTACT CENTER 1-800-541-4373 FAX: 717-631-1000 E-MAIL: AMP@AMP.COM	PRODUCT SPECIFICATIONS: HOUSING, SOCKET, 18 POSITION, METRIMATE	ORDER CODE: A1 ORDER NO.: 00779	DRAWING NO.: 213940	SHEET: 2/1	TOTAL SHEETS: 1/1
CUSTOMER DRAWING		DATE: 09 JUL 95			