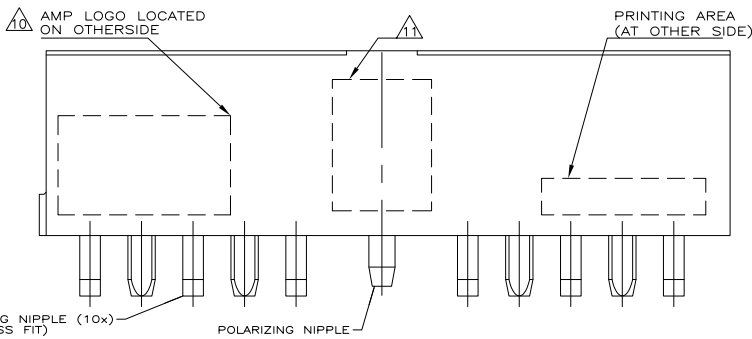
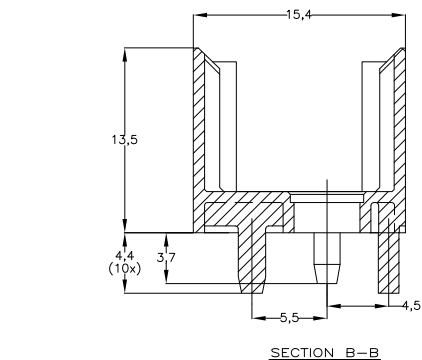
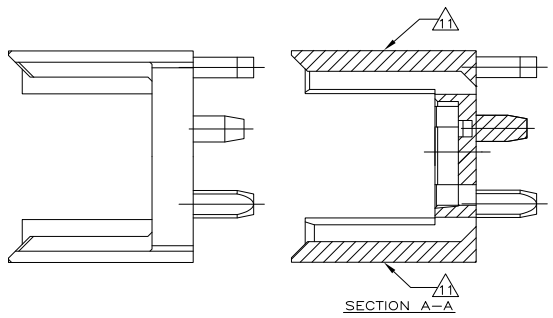
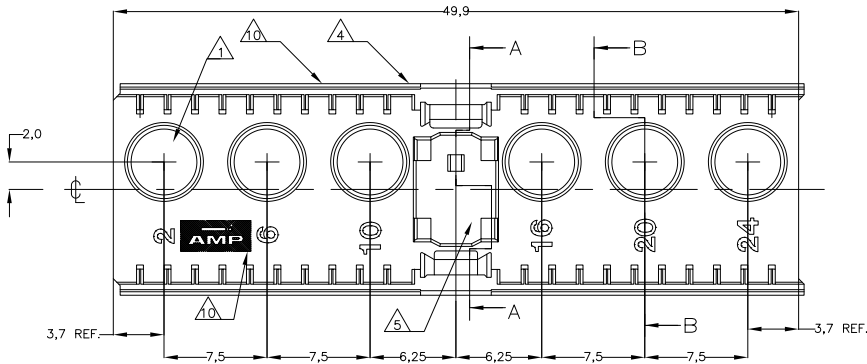
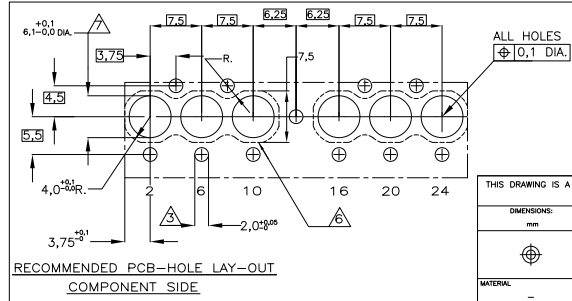


LOC	DIST	REVISIONS		DATE	BY	APPD
H	-	F	LR			
		F	REVISED PER ECO-11-003652	20FEB11	RC	CW



- NOTES:
- 1 CONTACT CAVITIES SUITABLE FOR 4.8 DIA. HIGH CURRENT HIGH FREQUENCY OR FIBRE OPTIC CONTACTS AS PER DIN 41626 [SEE ALSO NOTE 6 AND 7].
  - 2 MATERIAL HOUSING : GREY GLASSFILLED POLYESTER.
  - 3 NOT PLATED-THROUGH HOLES (11X).
  - 4 CONNECTOR PRINTED WITH PARTNUMBER AND (OPTIONAL) DATECODE.
  - 5 AREA RESERVED FOR KEYING PART, BASIC P/N 100525.
  - 6 PATTERN FOR FIBRE OPTIC CONTACTS.
  - 7 NOT PLATED-THROUGH HOLES: TO BE REPLACED BY 5.9±0.1 DIA. PLATED-THROUGH HOLES IF STRAIGHT SOLDER CONTACTS ARE APPLIED.
  - 8 PACKED IN TUBES
  - 9 PACKED IN BULK
  - 10 AMP LOGO EITHER SHOWN IN FLOOR OR SIDE OF HOUSING.
  - 11 VOID CORNING MAY BE PRESENT IN THESE LOCATIONS.



THIS DRAWING IS A CONTROLLED DOCUMENT.		DRN S. MELWSEN 13 MAR 92	100745-3
		CHK. S. MCDOW 23 MAR 92	100745-1
		APPRO. J. V. SOEST 13 APR 92	
DIMENSIONS: mm		PRODUCT SPEC: 108-19082	MATERIAL: Z-PACK 2mm HM
TOLERANCES UNLESS OTHERWISE SPECIFIED:		APPLICATION SPEC: 114-19029	PARTNUMBER:
D.P.C. ±0.2		WEIGHT: -	RESTRICTED TO: -
L.P.C. ±0.2		SIZE: A2	00779
A.P.C. ±0.2		SCALE: -	100745
ANGLES ±0.5		CUSTOMER DRAWING	SHEET 1 OF 1 REV F