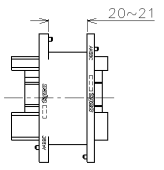
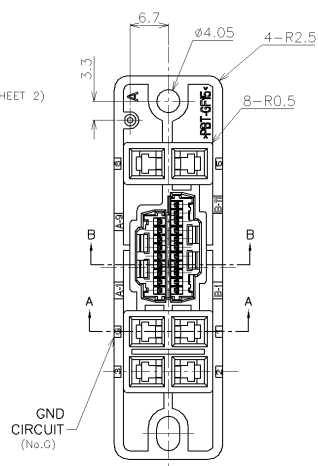
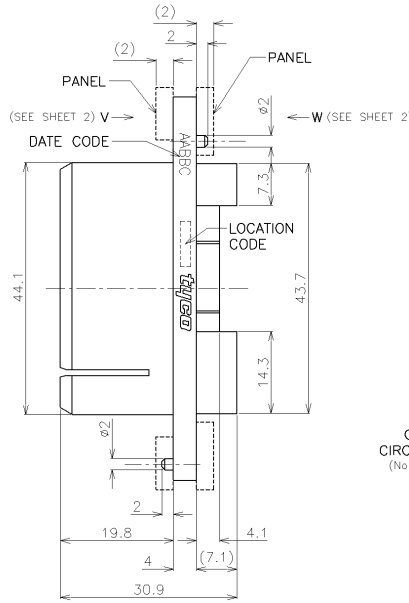
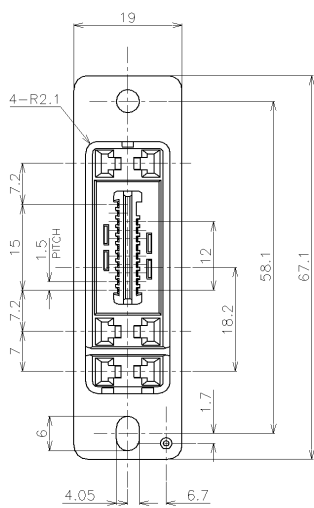


THIS DRAWING IS UNPUBLISHED. RELEASED FOR PUBLICATION
 © COPYRIGHT BY TYCO ELECTRONICS CORPORATION. ALL RIGHTS RESERVED.

LOC	DIST	REVISIONS					
ES	00	P	LTR	DESCRIPTION	DATE	DWN	APVD
		B1		REVISED ECR-09-007595	31MAR09	C.Z	S.Y



DIMENSION BETWEEN PANELS

6-20 (AC6 ALL-POWER, DC20)	△ 2-1674755-1
6-20 (AC6 5-POWER 1-GND, DC20)	△ 2-1674755-0
△ POS. (P-S)	P/N

THIS DRAWING IS A CONTROLLED DOCUMENT.		DWN H.HOSHINO 10MAR03	Tyco Electronics Tyco Electronics AMP K.K. Kawasaki, Japan	
		CHK T.KUSUHARA 10MAR03		
APOD H.MURAMATSU 10MAR03		NAME		
DIMENSIONS: mm		PRODUCT SPEC 108-5882		
TOLERANCES UNLESS OTHERWISE SPECIFIED:		APPLICATION SPEC		
0 PLC ± -	△	SIZE A3	CAGE CODE 00779	DRAWING NO. 1674755
1 PLC ± -		RESTRICTED TO		
2 PLC ± -		SCALE NTS		
3 PLC ± -		SHEET 1 OF 2		
4 PLC ± -	MATERIAL △	FINISH △	WEIGHT 19.3g	REV B1
ANGLES ± -	CUSTOMER DRAWING			

4 3 2 1

THIS DRAWING IS UNPUBLISHED. RELEASED FOR PUBLICATION
 COPYRIGHT BY TYCO ELECTRONICS CORPORATION. ALL RIGHTS RESERVED.

LOC	DIST	REVISIONS					
ES	00	P	LTR	DESCRIPTION	DATE	DWN	APVD
		-	-	SEE SHEET 1	-	-	-

NOTE:
 1. USE WITH:MT REC CONN P/N: X-353293-X
 CRIMP HSC P/N: X-353908-X
 CRIMP CONT P/N: 353907-1
 353918-1(L/P)

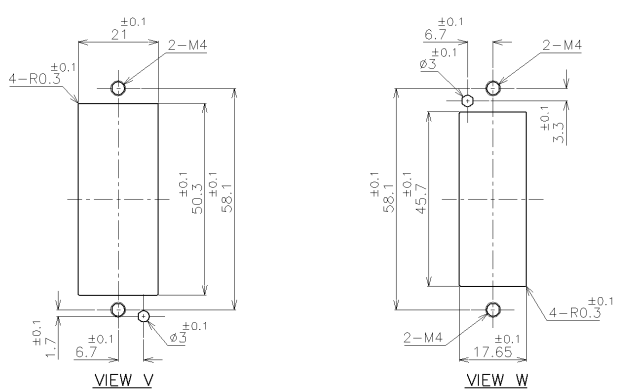
APPLICABLE POWER CONTACT P/N

FINISH	AWG	POWER STRIP
GOLD PL. &	#16-20	0-179316-2
TIN-LEAD PL.	#20-24	0-179317-2
GOLD PL. &	#16-20	0-179316-4
TIN PL.	#20-24	0-179317-4
ALL TIN PL.	#16-20	1-179318-2
	#20-24	1-179317-2

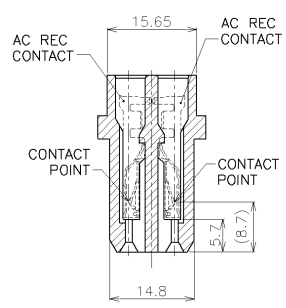
APPLICABLE POWER AND GND CONTACT P/N

FINISH	AWG	POWER STRIP	GND STRIP
GOLD PL. &	#16-20	0-179316-2	0-316458-2
TIN-LEAD PL.	#20-24	0-179317-2	-
GOLD PL. &	#16-20	0-179316-4	0-316458-4
TIN PL.	#20-24	0-179317-4	-
ALL TIN PL.	#16-20	1-179318-2	1-316458-2
	#20-24	1-179317-2	-

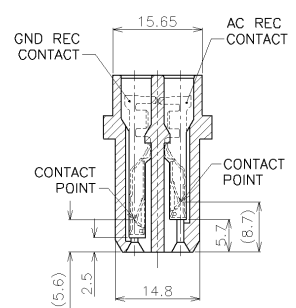
MATERIAL:
 HOUSING : PBT G.F. UL94V-0 COLOR:BLACK
 SIGNAL CONTACT : BRASS
 CONTACT FINISH:
 DRAWER CONTACT AREA : NICKEL PL. ALL OVER GOLD PL.
 POST AREA : NICKEL PL. ALL OVER TIN PL.
 P : NUMBER OF POWER CONTACT (UNASSEMBLED)
 S : NUMBER OF SIGNAL CONTACT (ASSEMBLED)
 6. COUNTER MATING CONNECTOR P/N : 2-1674754-0
 GENERAL TOLERANCE
 10 > ±0.2
 30 > 10 : ±0.25
 100 > 30 : ±0.3
 ANGLES : ±3°
 8. RECOMMENDED TIGHTENING TORQUE
 FOR PANEL INSTALLATION :
 0.49Nm MAX. (5kgfcm MAX.)



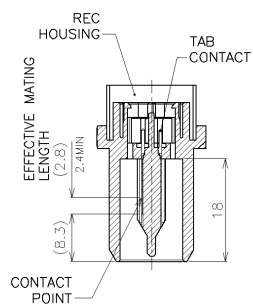
PANEL CUT DIMENSIONS (CONNECTOR MATING SIDE)



SECT A-A
 2-1674755-1 AS SHOWN



SECT A-A
 2-1674755-0 AS SHOWN



SECT B-B

THIS DRAWING IS A CONTROLLED DOCUMENT.		DWN	Tyco Electronics AMP K.K.	
DIMENSIONS: mm		CHK	Kawasaki, Japan	
TOLERANCES UNLESS OTHERWISE SPECIFIED:		APVD	NAME	
0 PLC ±		PRODUCT SPEC	RECEPTACLE ASSY	
1 PLC ±		APPLICATION SPEC	MINI CT HYBRID DRAWER CONNECTOR	
2 PLC ±		SIZE	CAGE CODE	DRAWING NO
3 PLC ±		WEIGHT	A3	00779
4 PLC ±		CUSTOMER DRAWING	C=1674755	
ANGLES ±		SCALE	NTS	SHEET 2 OF 2
MATERIAL		FINISH	RESTRICTED TO	REV B1