

4

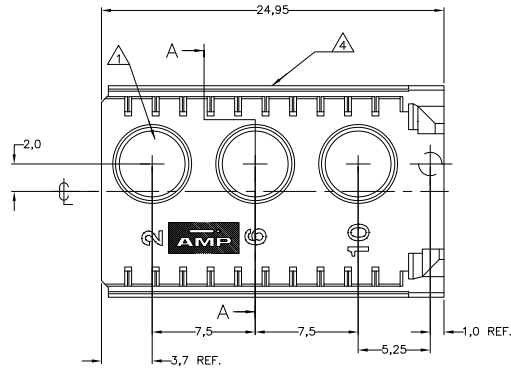
3

2

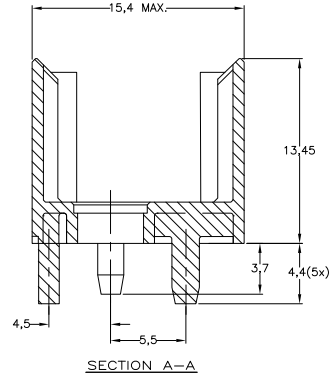
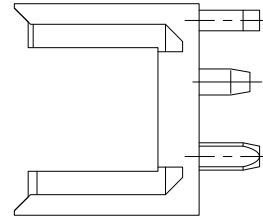
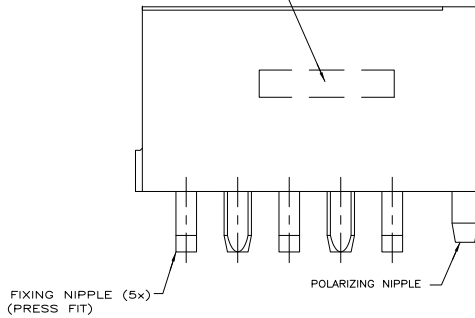
1

THIS DRAWING IS UNPUBLISHED. RELEASED FOR PUBLICATION. BY TYCO ELECTRONICS CORPORATION. ALL RIGHTS RESERVED.

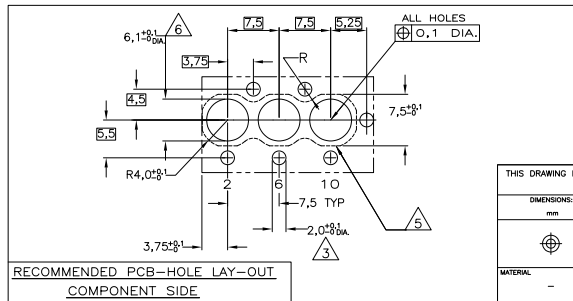
LOC	DIST	REVISIONS			
F	LR	DESCRIPTION	DATE	BY	APPD
D1		REVISED PER ECO-07-013319	09JUL07	DH	JE
D2		REVISED PER ECO-09-021826	06JAN10	KK	AEC
E		ECR-10-018652	10SEP10	SW	MQW



PRINTING AREA (AT OTHER SIDE)



- NOTES:
- 1 CONTACT CAVITIES SUITABLE FOR 4,8 DIA. HIGH CURRENT, HIGH FREQUENCY OR FIBRE OPTIC CONTACTS AS PER DIN 41626 (SEE ALSO NOTE 5 AND 6).
 - 2 MATERIAL HOUSING : GREY GLASSFILLED POLYESTER.
 - 3 NOT PLATED-THROUGH HOLES (6x).
 - 4 CONNECTOR PRINTED WITH PARTNUMBER AND DATECODE.
 - 5 PATTERN FOR FIBRE OPTIC CONTACTS.
 - 6 NOT PLATED-THROUGH HOLES; TO BE REPLACED BY 5,9 DIA. PLATED-THROUGH HOLES IF STRAIGHT SOLDER CONTACTS ARE APPLIED.
 - 7 BULK PACKED
 - 8 PACKED IN TUBES
 - 9 OBSOLETE PARTS: OBSOLETE CIS STREAMLINING PER D.RENAUD/D.SINISI



9 OBSOLETE	-	1	100751-3
	-	2	100751-1
	FINISH	MATERIAL	PARTNUMBER
	FINISH	MATERIAL	PARTNUMBER
THIS DRAWING IS A CONTROLLED DOCUMENT.		Tyco Electronics Corporation	
DRN S. MEELWSEN	17 MAR 92	Tyco Electronics Corporation	
CHK. B. MCDOW	23 MAR 92	's-Hertogenbosch, 5222AR-32	
APPRO. J. V. SOEST	13 APR 92	NAME	
PRODUCT SPEC	108-19082	Z-PACK 2mm HM	
APPLICATION SPEC	114-19029	TYPE N MALE CONNECTOR HOUSING	
HEIGHT	-	SIZE	CAGE CODE DRAWING NO
MATERIAL	FINISH	A2	00779 C=100751
CUSTOMER DRAWING		SCALE	SHEET 1 OF 1 REV E

AMP 1471-9 REV 31MMR2000

100751

A