

4

3

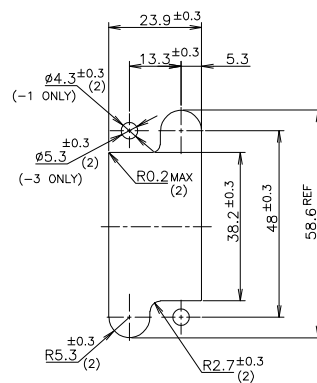
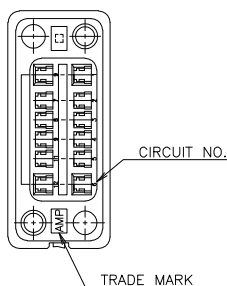
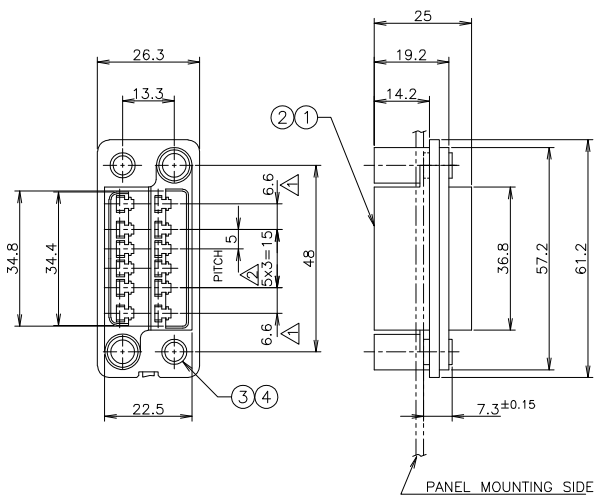
2

1

THIS DRAWING IS UNPUBLISHED. RELEASED FOR PUBLICATION JAN. 1979.  
 © COPYRIGHT 1979 BY TYCO ELECTRONICS CORPORATION. ALL RIGHTS RESERVED.

LOC	DIST	REVISIONS			
P	LTR	DESCRIPTION	DATE	DWN	APVD
A		RELEASED	ECR-05-009552	15AUG05	C.Z S.Y

-1, -3; AS SHOWN



THK 1.6±0.2  
RECOMMENDED PANEL CUTOUT DIM.

- △ FOR POWER CIRCUITS (4 POS)
- △ FOR SIGNAL CIRCUITS (8 POS)
- 3 ACCOMMODATED CONTACTS ARE STRIP P/N 170311, 170312, 170484 L.P P/N 170313, 170314, 170485
- 4 MALE HSG P/N IS 172061
- △ MATERIAL: HOUSING: PBT 94V-0 BUSH: JIS H3250, C3602 BD-F
- △ FINISH: NICKEL PLATED PER AMP SPEC 112-25.

QTY REQD PER ASSY	QTY REQD PER ASSY	PART NO	NAME	REMARKS	ITEM NO
2	++	1-172065-3			(4mm) ④
++	2	1-172065-1	FLOATING BUSH ASSY		(3mm) ③
1	++	172062-3			(4mm) ②
++	1	172062-1	DRAWER CONN FEMALE HSG	12 POS	(3mm) ①
-3	-1				

PARTS LIST

THIS DRAWING IS A CONTROLLED DOCUMENT.		DWN C.ZHU 15AUG05	<b>tyco</b> Electronics	Tyco Electronics AMP K.K.	
DIMENSIONS: mm		CHK I.WANG 15AUG05		Kawasaki, Japan	
TOLERANCES UNLESS OTHERWISE SPECIFIED:		APVD S.YAO 15AUG05	NAME		
0 PLC ± 0.4		PRODUCT SPEC	12POS FEMALE HSG ASSY DRAWER CONNECTOR		
1 PLC ± 0.4		APPLICATION SPEC	SIZE CAGE CODE DRAWING NO		
2 PLC ± 0.4		WEIGHT	A3 00779 C-5172069		
3 PLC ± 0.4		CUSTOMER DRAWING	RESTRICTED TO		
4 PLC ± 0.4			SCALE 1:1 SHEET 1 OF 1 REV A		
ANGLES ±					
MATERIAL	FINISH				