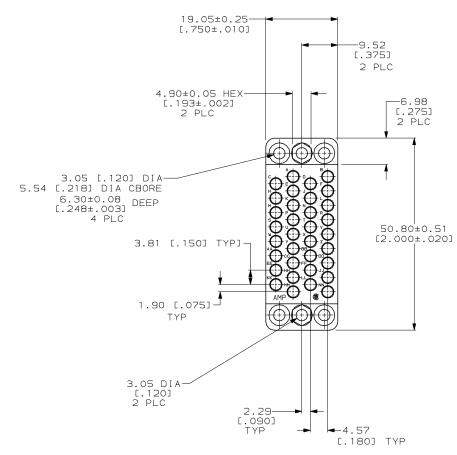
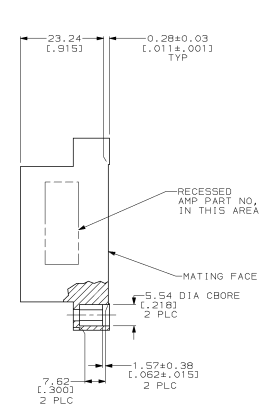
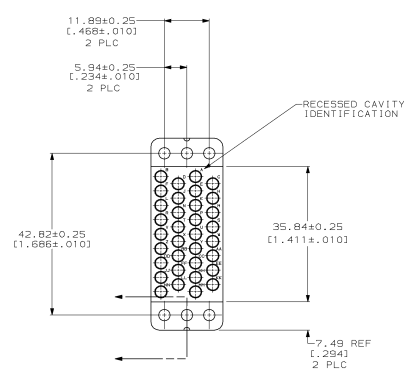


THIS DRAWING IS UNPUBLISHED.  
 RELEASED FOR PUBLICATION  
 BY AMP INCORPORATED. ALL INTERNATIONAL RIGHTS RESERVED.

REVOLUTIONS		DATE	APPD
0	RLSE -1 PER NPR 5123 WAS 94-5050-001-05	08/13/94	TC



DO NOT SCALE PRINT. UNLESS SPECIFIED, DIMENSIONS IN mm (INCHES) TO 3 DEC. 2 PL, 2 PL DEC 4.0 (1.000) 3 PL DEC 4. INCHES 4.		DR 08-12-94 D. BRUCKWAY	AMP Incorporated Harrisburg, PA 17105-3608	213802-1 PART NO	
MATERIAL POLYESTER, BLACK		CHK 09-09-94 S. STONE		NAME HOUSING, RCPT, 34 POSN, MINIATURE, RECTANGULAR M SERIES	
FINISH -		APPD 09-13-94 T. COLSON	SIZE D		CAGE CODE 00779
APPLICATION SPEC -		PRODUCT SPEC -	DRAWING NO. 213802		SHEET 1 OF 1
WEIGHT -		SCALE 2:1	CUSTOMER DRAWING		

THIS DRAWING IS A CONTROLLED DOCUMENT FOR AMP INCORPORATED. IT IS SUBJECT TO CHANGE AND THE CONTROLLING AND REVISION INFORMATION SHOULD BE CONTACTED FOR THE LATEST REVISION.