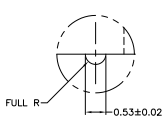
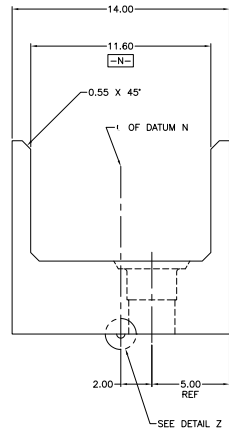
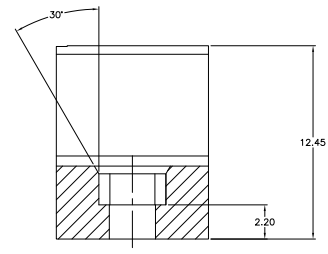
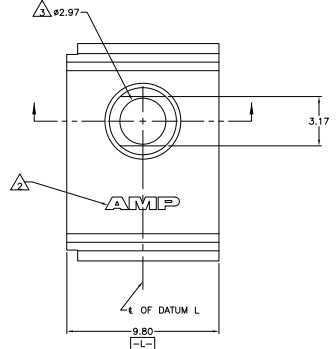


THIS DRAWING IS UNPUBLISHED. ALL RIGHTS RESERVED.
 © 2008 BY TYS ELECTRONICS CORPORATION. ALL RIGHTS RESERVED.

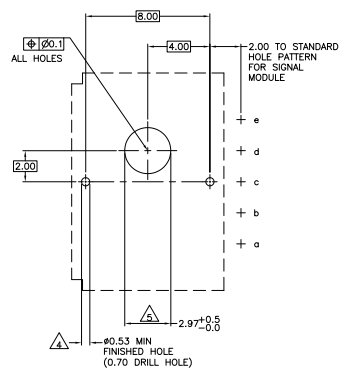
REV	DATE	DESCRIPTION	BY	CHKD
B	REV PER EC 0512-0228-04		21MM104	BC GS
B1	REVISED PER ECO-10-000443		15MM10	KK AEG
C	ECR-10-019054		15M210	DP MQM



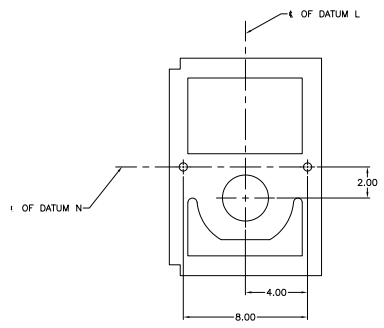
DETAIL Z
SCALE 20:1



- △ MATERIAL: GLASS FILLED POLYESTER, GRAY.
- △ AMP TRADEMARK RECESSED.
- △ THIS PART HAS A THRU HOLE TO ACCEPT A POWER/GUIDE PIN, AMP BASE PART NO 53282B.
- △ LOCATING HOLES NEED NOT BE PLATED THRU HOLES, BUT LOCATING NIPPLE IS DESIGNED TO FIT MIN PLATED THRU HOLE Ø0.55mm FINISHED.
- △ PLATED THRU HOLE FOR POWER APPLICATION ONLY.
- △ SAME AS -1. SPECIAL PART FOR NORTEL AND THEIR CONTRACT MANUFACTURERS.
- △ OBSOLETE PARTS: OBSOLETE CIS STREAMLINING PER D.RENAUD/D.SINISI



RECOMMENDED PCB-HOLE LAYOUT
COMPONENT SIDE



△ OBSOLETE -646274-0
646274-1
PART NUMBER

THIS DRAWING IS A CONTROLLED DOCUMENT.		DATE REVISION	BY	CHKD
DATE	REVISION	BY	CHKD	
12/06/03	01	J. BARBUS	03/06/03	
03/06/03	02	J. BARBUS	03/06/03	
03/06/03	03	J. BARBUS	03/06/03	
03/06/03	04	J. BARBUS	03/06/03	
03/06/03	05	J. BARBUS	03/06/03	
03/06/03	06	J. BARBUS	03/06/03	
03/06/03	07	J. BARBUS	03/06/03	
03/06/03	08	J. BARBUS	03/06/03	
03/06/03	09	J. BARBUS	03/06/03	
03/06/03	10	J. BARBUS	03/06/03	
03/06/03	11	J. BARBUS	03/06/03	
03/06/03	12	J. BARBUS	03/06/03	
03/06/03	13	J. BARBUS	03/06/03	
03/06/03	14	J. BARBUS	03/06/03	
03/06/03	15	J. BARBUS	03/06/03	
03/06/03	16	J. BARBUS	03/06/03	
03/06/03	17	J. BARBUS	03/06/03	
03/06/03	18	J. BARBUS	03/06/03	
03/06/03	19	J. BARBUS	03/06/03	
03/06/03	20	J. BARBUS	03/06/03	
03/06/03	21	J. BARBUS	03/06/03	
03/06/03	22	J. BARBUS	03/06/03	
03/06/03	23	J. BARBUS	03/06/03	
03/06/03	24	J. BARBUS	03/06/03	
03/06/03	25	J. BARBUS	03/06/03	
03/06/03	26	J. BARBUS	03/06/03	
03/06/03	27	J. BARBUS	03/06/03	
03/06/03	28	J. BARBUS	03/06/03	
03/06/03	29	J. BARBUS	03/06/03	
03/06/03	30	J. BARBUS	03/06/03	
03/06/03	31	J. BARBUS	03/06/03	
03/06/03	32	J. BARBUS	03/06/03	
03/06/03	33	J. BARBUS	03/06/03	
03/06/03	34	J. BARBUS	03/06/03	
03/06/03	35	J. BARBUS	03/06/03	
03/06/03	36	J. BARBUS	03/06/03	
03/06/03	37	J. BARBUS	03/06/03	
03/06/03	38	J. BARBUS	03/06/03	
03/06/03	39	J. BARBUS	03/06/03	
03/06/03	40	J. BARBUS	03/06/03	
03/06/03	41	J. BARBUS	03/06/03	
03/06/03	42	J. BARBUS	03/06/03	
03/06/03	43	J. BARBUS	03/06/03	
03/06/03	44	J. BARBUS	03/06/03	
03/06/03	45	J. BARBUS	03/06/03	
03/06/03	46	J. BARBUS	03/06/03	
03/06/03	47	J. BARBUS	03/06/03	
03/06/03	48	J. BARBUS	03/06/03	
03/06/03	49	J. BARBUS	03/06/03	
03/06/03	50	J. BARBUS	03/06/03	
03/06/03	51	J. BARBUS	03/06/03	
03/06/03	52	J. BARBUS	03/06/03	
03/06/03	53	J. BARBUS	03/06/03	
03/06/03	54	J. BARBUS	03/06/03	
03/06/03	55	J. BARBUS	03/06/03	
03/06/03	56	J. BARBUS	03/06/03	
03/06/03	57	J. BARBUS	03/06/03	
03/06/03	58	J. BARBUS	03/06/03	
03/06/03	59	J. BARBUS	03/06/03	
03/06/03	60	J. BARBUS	03/06/03	
03/06/03	61	J. BARBUS	03/06/03	
03/06/03	62	J. BARBUS	03/06/03	
03/06/03	63	J. BARBUS	03/06/03	
03/06/03	64	J. BARBUS	03/06/03	
03/06/03	65	J. BARBUS	03/06/03	
03/06/03	66	J. BARBUS	03/06/03	
03/06/03	67	J. BARBUS	03/06/03	
03/06/03	68	J. BARBUS	03/06/03	
03/06/03	69	J. BARBUS	03/06/03	
03/06/03	70	J. BARBUS	03/06/03	
03/06/03	71	J. BARBUS	03/06/03	
03/06/03	72	J. BARBUS	03/06/03	
03/06/03	73	J. BARBUS	03/06/03	
03/06/03	74	J. BARBUS	03/06/03	
03/06/03	75	J. BARBUS	03/06/03	
03/06/03	76	J. BARBUS	03/06/03	
03/06/03	77	J. BARBUS	03/06/03	
03/06/03	78	J. BARBUS	03/06/03	
03/06/03	79	J. BARBUS	03/06/03	
03/06/03	80	J. BARBUS	03/06/03	
03/06/03	81	J. BARBUS	03/06/03	
03/06/03	82	J. BARBUS	03/06/03	
03/06/03	83	J. BARBUS	03/06/03	
03/06/03	84	J. BARBUS	03/06/03	
03/06/03	85	J. BARBUS	03/06/03	
03/06/03	86	J. BARBUS	03/06/03	
03/06/03	87	J. BARBUS	03/06/03	
03/06/03	88	J. BARBUS	03/06/03	
03/06/03	89	J. BARBUS	03/06/03	
03/06/03	90	J. BARBUS	03/06/03	
03/06/03	91	J. BARBUS	03/06/03	
03/06/03	92	J. BARBUS	03/06/03	
03/06/03	93	J. BARBUS	03/06/03	
03/06/03	94	J. BARBUS	03/06/03	
03/06/03	95	J. BARBUS	03/06/03	
03/06/03	96	J. BARBUS	03/06/03	
03/06/03	97	J. BARBUS	03/06/03	
03/06/03	98	J. BARBUS	03/06/03	
03/06/03	99	J. BARBUS	03/06/03	
03/06/03	100	J. BARBUS	03/06/03	

AMP 440 REV 2/2008 H:\dmmop\646274-c.dwg