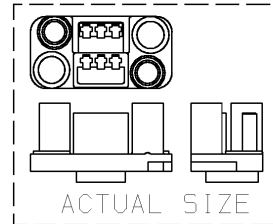
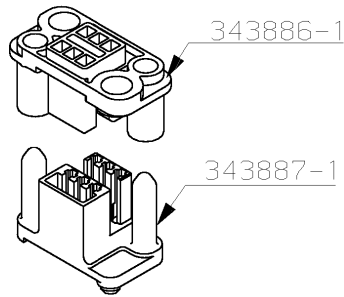
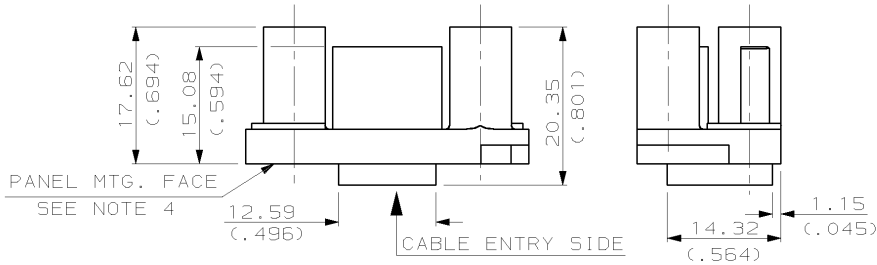
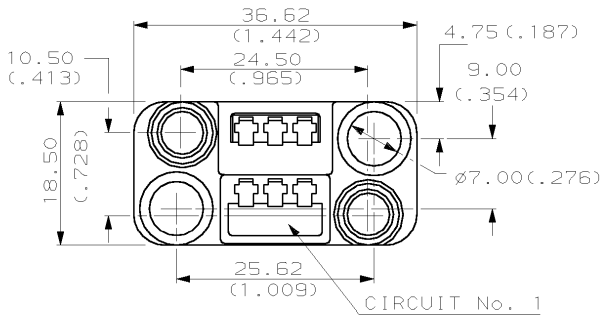


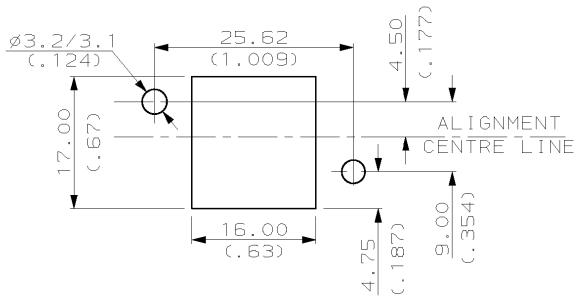
THIS DRAWING IS UNPUBLISHED. RELEASED FOR PUBLICATION .19
 © COPYRIGHT 19 BY AMP INCORPORATED. ALL RIGHTS RESERVED.

LOC	DIST	REVISIONS			
P	LTR	DESCRIPTION	DATE	DWN	APVD
AD	00				
3		ECN C4735	28-8-87	WW	AM
A		REV PER 0652-0140-98	10/06/99	MM	MB



NOTE;

1. MATES WITH 343887-1
2. RECEIVES CONTACT No. 343371-1
3. CONSULT AMP GB. ENGINEERING FOR FURTHER INFORMATION
4. MOUNTING DETAILS: PBC TO MOUNTING PLATE DAYLIGHT 22.20 (.874) MIN OVERALL MATED HEIGHT 25.50 MAX



PANEL CUT OUT VIEWED FROM CABLE ENTRY SIDE

THIS DRAWING IS A CONTROLLED DOCUMENT.		DWN W. WILSON	16DEC86	343886-1 PART NO	
DIMENSIONS: mm		CHK -	AMP	AMP Incorporated Harrisburg, PA 17105-3608	
TOLERANCES UNLESS OTHERWISE SPECIFIED:		APVD -	NAME	SOCKET HOUSING	
0 PLC	±	PRODUCT SPEC	SIZE	CAGE CODE	DRAWING NO
1 PLC	±0.5	APPLICATION SPEC	A3	00779	C- 343886
2 PLC	±0.2	WEIGHT	RESTRICTED TO		
3 PLC	±	CUSTOMER DRAWING	SCALE	SHEET	OF
4 PLC	±		2:1	1	1
ANGLES	±1°				REV
MATERIAL	FINISH				A
30% GF PBT	BLACK				