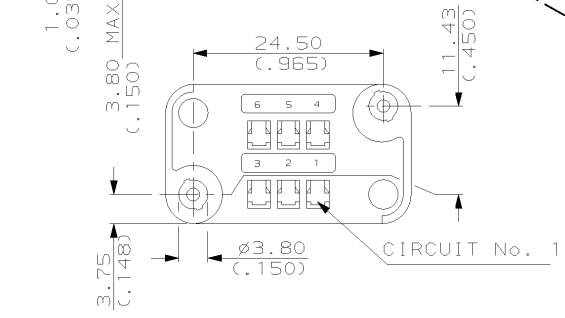
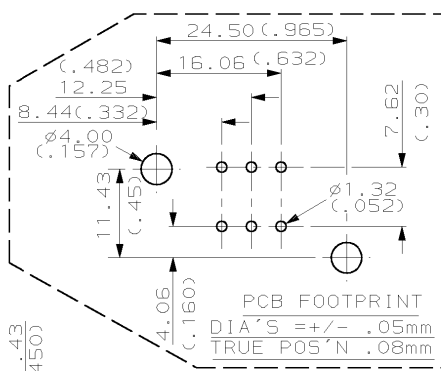
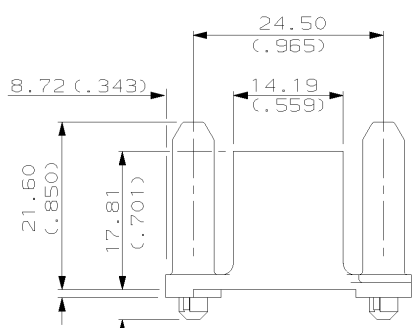
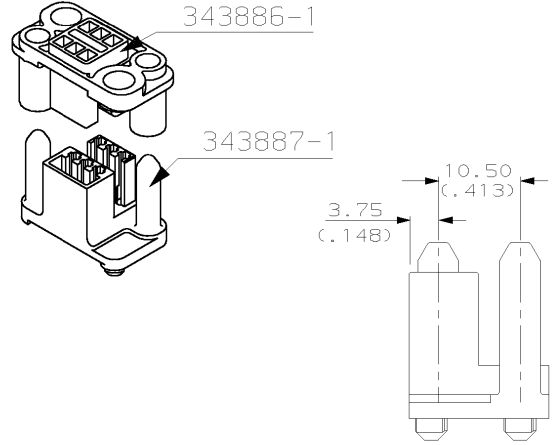
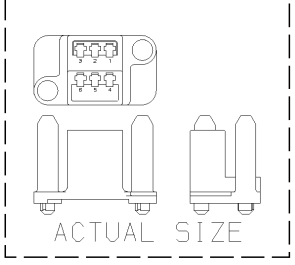
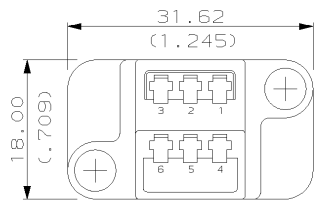


THIS DRAWING IS UNPUBLISHED. RELEASED FOR PUBLICATION .19
 © COPYRIGHT 19 BY AMP INCORPORATED. ALL RIGHTS RESERVED.

LOC		DIST		REVISIONS			
P	LTR	DESCRIPTION	DATE	DWN	APVD		
4		ECN C4735	28-8-97	WW	AM		
A		REV PER 0652-0140-98	10/06/99	MM	MB		



NOTES

- MATES WITH 343886-1.
- RECEIVES CONTACT No. 583293-2.
- PERFORMANCE AS PER AMP PRODUCT SPECIFICATION 108-3080.
- MOUNTING DETAILS; PCB TO MOUNTING PLATE DAYLIGHT 22.20 (.874) MIN. OVERALL MATED HEIGHT 25.50 MAX.
- CONSULT AMP GB. ENGINEERING

343887-1
PART NO

THIS DRAWING IS A CONTROLLED DOCUMENT.		DWN W. WILSON	16DEC86	AMP AMP Incorporated Harrisburg, PA 17105-3608
DIMENSIONS: mm		CHK -	NAME -	
TOLERANCES UNLESS OTHERWISE SPECIFIED:		APVD -	PRODUCT SPEC -	PCB HEADER HOUSING
0 PLC ±-		APPLICATION SPEC -	SIZE A3	
1 PLC ±0.5		WEIGHT -	CAGE CODE 00779	DRAWING NO 343887
2 PLC ±0.2		CUSTOMER DRAWING	SCALE 2:1	RESTRICTED TO -
3 PLC ±-		MATERIAL 30X GF PBT	SHEET 1 OF 1	REV A
4 PLC ±-		FINISH BLACK		
ANGLES ±1°				