

4

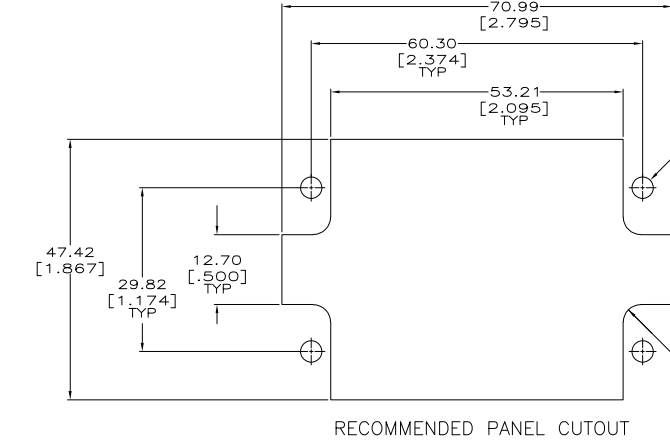
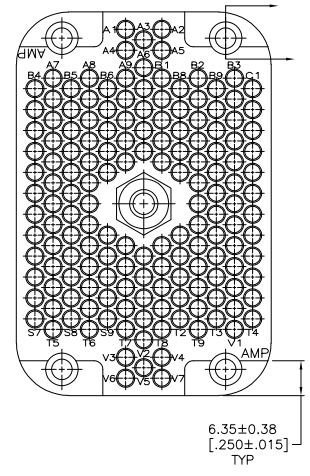
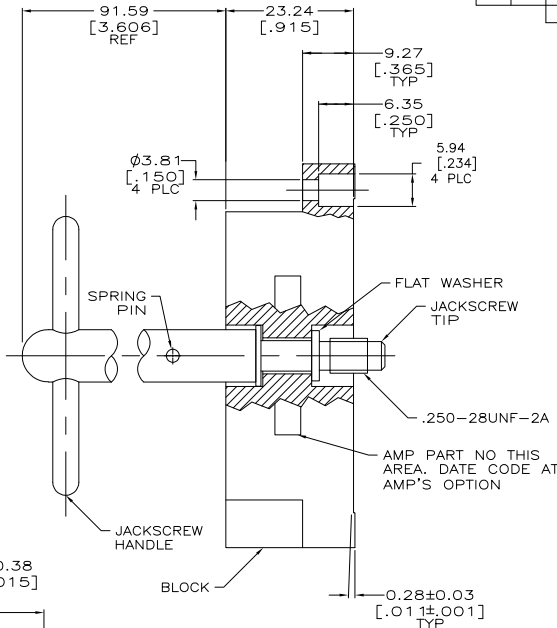
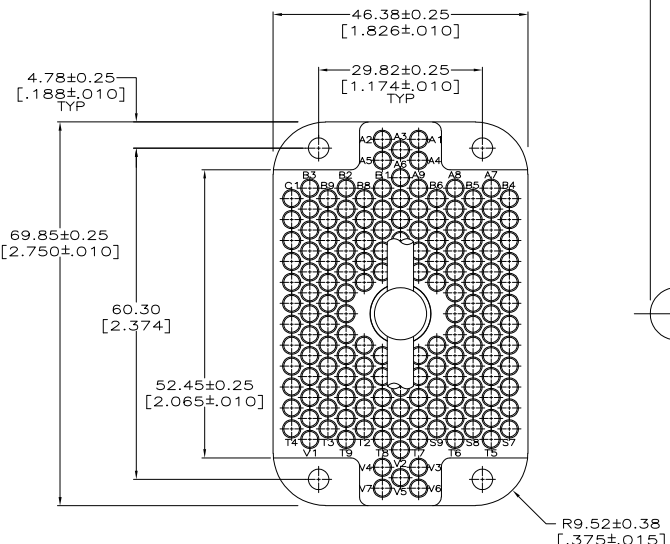
3

2

1

THIS DRAWING IS UNPUBLISHED. RELEASED FOR PUBLICATION
 © COPYRIGHT BY TYCO ELECTRONICS CORPORATION. ALL RIGHTS RESERVED.

LOC	DIST	REVISIONS			
F	LTR	DESCRIPTION	DATE	BY	APPD
D1		REVISED PER ECO-06-22403	9/21/06	SS	GS



- ▲ BLOCK: SEE TABLE. JACKSCREW HANDLE, JACKSCREW TIP, & FLAT WASHER: STAINLESS STEEL. SPRING PIN: HIGH CARBON STEEL.
- ▲ JACKSCREW HANDLE, JACKSCREW TIP, & FLAT WASHER: PASSIVATED.
- 3. MATES WITH BLOCK 202800.
- ▲ DIALLYL PHTHALATE, PER MIL-M-14, TYPE SDG-F, BLUE.
- ▲ PHENOLIC PER MIL-M-14, TYPE CFG, BLACK.
- ▲ FINISH: ZINC PLATE WITH HEXAVALENT CHROMATE.
- ▲ FINISH: ZINC PLATE WITH NON-HEXAVALENT CHROMATE.

▲	▲	202799-4
▲	▲	202799-3
▲	▲	202799-2
▲	▲	202799-1
SPRING PIN FINISH	BLOCK MATERIAL	PART NUMBER

THIS DRAWING IS A CONTROLLED DOCUMENT. DIM: S. CARBO 08 AUG 97
 CHK: S. STONE 18 AUG 97
 DR: S. STEINHAUER 05 SEP 97

TYCO Electronics Corporation
 Harrisburg, PA 17105-3608

PLUG BLOCK ASSY,
 160 POSITION, W/ CENTER
 FASTENER, M SERIES

SIZE: CASE CODE: DRAWING NO: RESTRICTED TO:
 A2 00779 C=202799 -

CUSTOMER DRAWING SCALE: 2:1 SHEET 1 of 1 REV: D1

AMP 1471-9 REV 31MM2000

202799

A