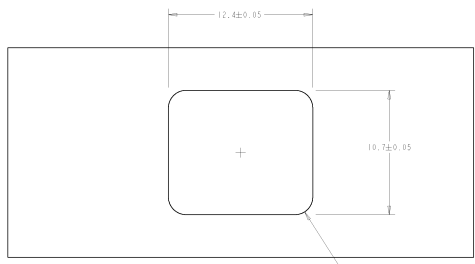
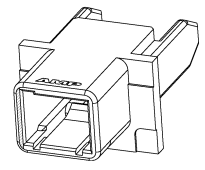
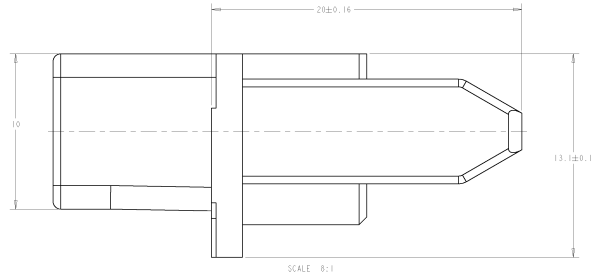
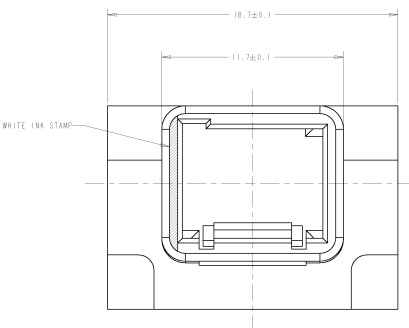
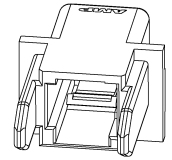
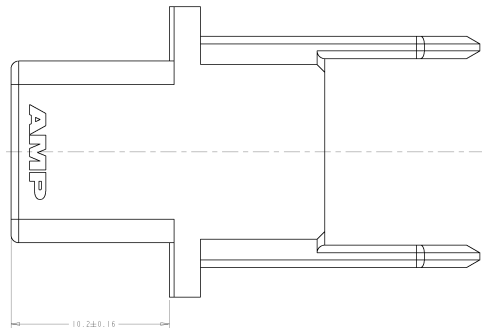


REV	DATE	REVISIONS	BY	CHK	APP
1	08/11/08	RELEASED PER ADR 97-588	ALUMIN	TS	LG
2	08/11/08	REVISED PER EC 0400-0264-01	DMC11	EB	AP



SUGGESTED BACKPLANE CUT-OUT  
 SCALE 6:1

**NOTES**  
 1 MATERIAL: VALOY 42050, UL 94 V-0, COLOR: BLACK  
 2 HOUSING DESIGNED TO BE INSTALLED WITH RETENTION CLIP P/N 492740-2, USING SEATING TOOL P/N 1374462-2 OR 1278315-1 AND MOTHER BOARD SUPPORT P/N 492493-1. REFER TO INSTRUCTION SHEET 498-8331.

492739-1  
 PART NUMBER

AMP HOUSING, MOTHERBOARD, SINGLE POSITION BACKPLANE		DATE: 08/11/08 BY: [Signature] CHECKED: [Signature] DRAWN: [Signature]	AMP CORPORATION BERKSHIRE, PA 19310-3600
MATERIAL: VALOY 42050 FINISH:	QUANTITY: 10000 UNIT:	TITLE: HOUSING, MOTHERBOARD, SINGLE POSITION BACKPLANE PART: 492739-1 CUSTOMER DRAWING:	PREPARED BY: [Signature] CHECKED BY: [Signature]