

4

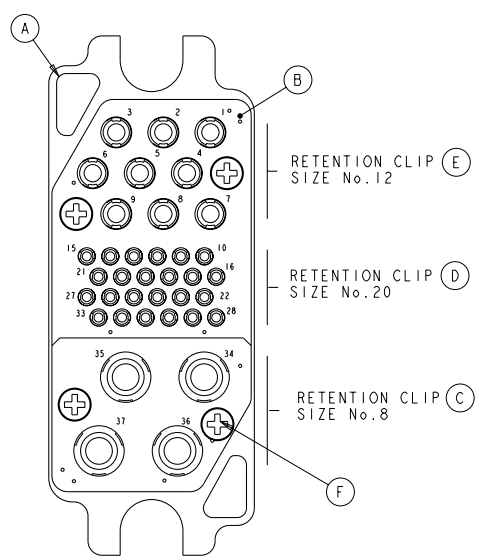
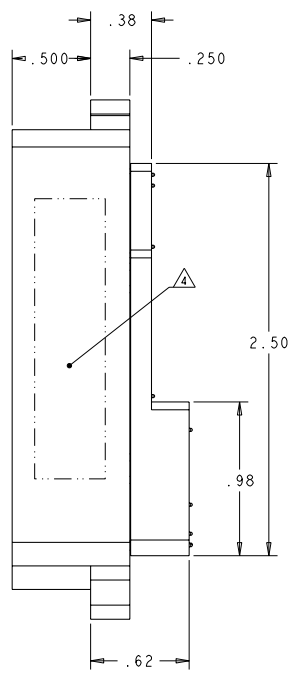
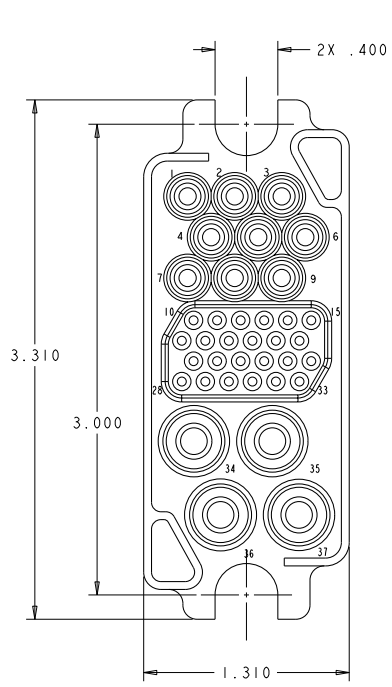
3

2

1

THIS DRAWING IS UNPUBLISHED. RELEASED FOR PUBLICATION
BY TYCO ELECTRONICS CORPORATION. ALL RIGHTS RESERVED.

REV	DATE	BY	APPROV
C	26MAR2008	RG	SF
DESCRIPTION: REV PER ECO-08-007334			



ELCON 75A MIDDLE DRAWER

AS SHOWN	6648167-1
DESCRIPTION	PART NUMBER

DIMENSIONS: INCHES 0 PLC ±.010 1 PLC ±.010 2 PLC ±.010 3 PLC ±.010 4 PLC ±.010 ANGLES ±.3	OPERATING SPECIFICS: 0 PLC ±.010 1 PLC ±.010 2 PLC ±.010 3 PLC ±.010 4 PLC ±.010 ANGLES ±.3	DATE: 26MAR2008 BY: R. GRZYBOWSKI CHK: D. ORRIS APPR: S. FLICKLINGER PRODUCT SPEC: APPLICATION SPEC: WEIGHT: MATERIAL: - FINISH: - CUSTOMER DRAWING	DATE: 26MAR2008 BY: S. FLICKLINGER NAME: SHEET: A2 CASE CODE: 00779 DRAWING NO: C-6648167 SCALE: 3:1 SHEET: 1 OF 2 REV: C	Tyco Electronics Harrisburg, PA 17105-3608
--	---	---	---	---

AMP 1471-B REV 31MAR2000
PRO/ENGINEER DRAWING

