

4

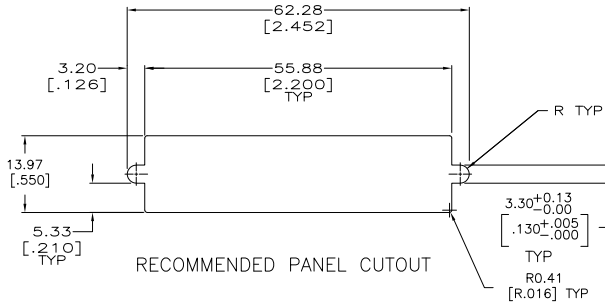
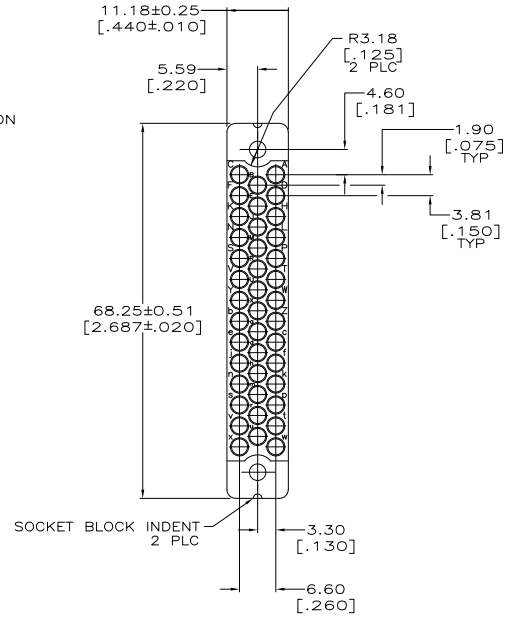
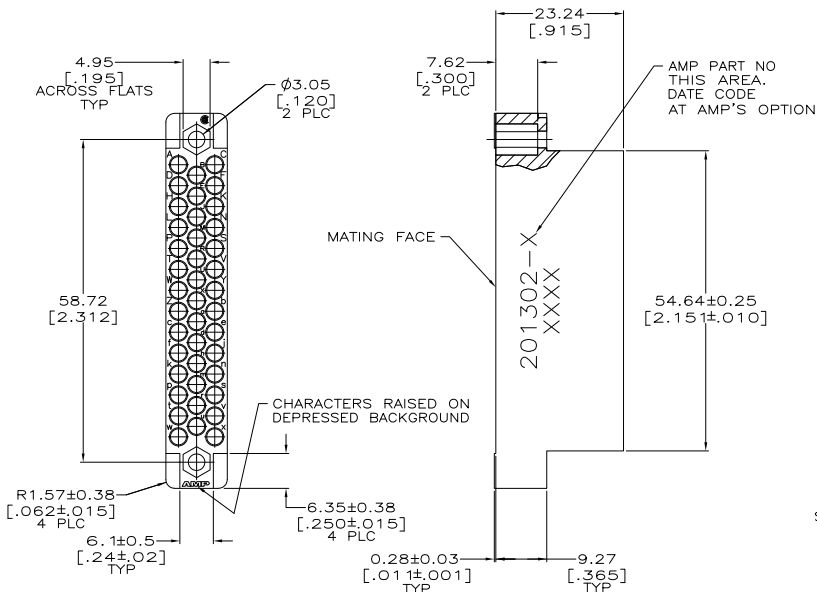
3

2

1

THIS DRAWING IS UNPUBLISHED. RELEASED FOR PUBLICATION. BY TYCO ELECTRONICS CORPORATION. ALL RIGHTS RESERVED.

LOC	DIST	REVISIONS					
FT	0	F	LNK	DESCRIPTION	DATE	BY	APPD
		V		REVISED PER ECO-07-029096	12/12/07	SS	GS
		V1		REVISED PER ECO-09-020935	09SEP09	KK	AEG



- △ PHENOLIC, BLACK, PER MIL-M-14, TYPE CFG.
- △ DIALYL PHTHALATE, BLUE, PER MIL-M-14, TYPE SDG-F.
- 3. MATES WITH BLOCK 201302 OR 202135 AND ACCOMODATES TYPE II #16 OR #20, OR TYPE III+ OR TYPE VI #16 CONTACTS.
- △ MARKING PERMANENCY PER MIL-STD-202, METHOD 215.
- △ OBSOLETE PARTS: OBSOLETE CIS STREAMLINING PER D.RENAUD/D.SINISI

△ OBSOLETE	201302-7	△
△	201302-3	
△	201302-1	
MATERIAL	PART NUMBER	

THIS DRAWING IS A CONTROLLED DOCUMENT.		BY: C. REISNYDER 22 FEB 98	Tyco Electronics Corporation	
DIMENSIONS: mm [INCHES]		CHK: B. STONE 29 FEB 98	Harrisburg, PA 17105-3608	
TOLERANCES UNLESS OTHERWISE SPECIFIED:		APPD: G.A. STEINHAUER 20 MAR 98	BLOCK, FEMALE, 41 PLACE, MINIATURE RECTANGULAR, M SERIES	
0 PLC	± .005	PRODUCT SPEC	SIZE	00779
1 PLC	± .005	APPLICATION SPEC	DATE	02/13/02
2 PLC	± .005	WEIGHT	SCALE	2:1
3 PLC	± .010		SHEET	1 of 1
4 PLC	± .015		REV	V1
ANGLES	± .005			
MATERIAL	SEE TABLE	CUSTOMER DRAWING		

AMP 1471-9 REV 31MM2000

201302

A