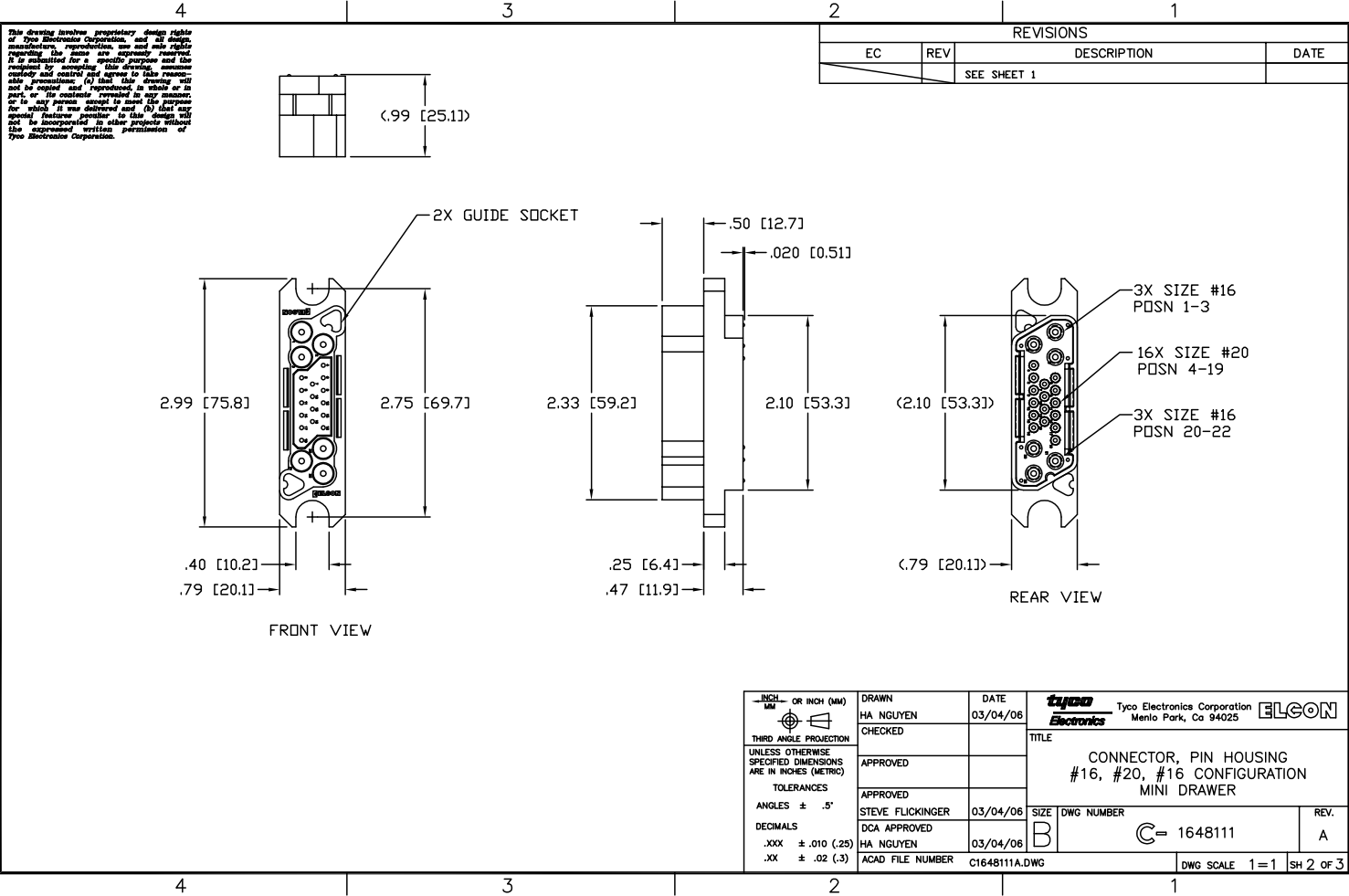


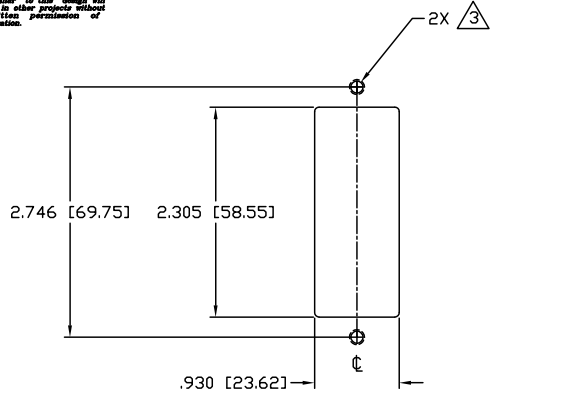
4	3	2	1																																			
<table border="1" style="width:100%; border-collapse: collapse;"> <tr> <th colspan="4" style="text-align: center;">REVISIONS</th> </tr> <tr> <th style="width:10%;">EC</th> <th style="width:10%;">REV</th> <th style="width:70%;">DESCRIPTION</th> <th style="width:10%;">DATE</th> </tr> <tr> <td style="text-align: center;">CPR</td> <td style="text-align: center;">A</td> <td>NEW RELEASE</td> <td style="text-align: center;">03/04/06</td> </tr> </table>				REVISIONS				EC	REV	DESCRIPTION	DATE	CPR	A	NEW RELEASE	03/04/06																							
REVISIONS																																						
EC	REV	DESCRIPTION	DATE																																			
CPR	A	NEW RELEASE	03/04/06																																			
<p style="font-size: 8px; margin: 0;">This drawing involves proprietary design rights of Tyco Electronics Corporation, and all design, manufacture, reproduction, use and sale rights regarding the same are expressly reserved. It is submitted for a specific purpose and the recipient by accepting this drawing, assumes custody and control and agrees to take reasonable precautions: (a) that this drawing will not be copied and reproduced, in whole or in part, or its contents, revealed in any manner, or in any form, except to meet the purpose for which it was delivered and (b) that any special features peculiar to this design will not be incorporated in other projects without the expressed written permission of Tyco Electronics Corporation.</p>																																						
<table border="1" style="width:100%; border-collapse: collapse;"> <tr> <th colspan="4" style="text-align: center;">TYPICAL SPECIFICATION TABLE</th> </tr> <tr> <th style="width:15%;">POSITION</th> <th style="width:15%;">CONTACT SIZE</th> <th style="width:15%;">RATING</th> <th style="width:15%;">VOLTAGE RATING</th> </tr> <tr> <td style="text-align: center;">1 - 3</td> <td style="text-align: center;">#16</td> <td style="text-align: center;">15 AMPERES</td> <td style="text-align: center;">250 VOLTS</td> </tr> <tr> <td style="text-align: center;">4 - 19</td> <td style="text-align: center;">#20</td> <td style="text-align: center;">5 AMPERES</td> <td style="text-align: center;">250 VOLTS</td> </tr> <tr> <td style="text-align: center;">20 - 22</td> <td style="text-align: center;">#16</td> <td style="text-align: center;">15 AMPERES</td> <td style="text-align: center;">250 VOLTS</td> </tr> </table>				TYPICAL SPECIFICATION TABLE				POSITION	CONTACT SIZE	RATING	VOLTAGE RATING	1 - 3	#16	15 AMPERES	250 VOLTS	4 - 19	#20	5 AMPERES	250 VOLTS	20 - 22	#16	15 AMPERES	250 VOLTS															
TYPICAL SPECIFICATION TABLE																																						
POSITION	CONTACT SIZE	RATING	VOLTAGE RATING																																			
1 - 3	#16	15 AMPERES	250 VOLTS																																			
4 - 19	#20	5 AMPERES	250 VOLTS																																			
20 - 22	#16	15 AMPERES	250 VOLTS																																			
<p>6. ITEMS PROVIDED TO THIS SPECIFICATION TO BE PERMANENTLY IDENTIFIED PER THE FOLLOWING IDENTIFIER:</p> <p style="text-align: center;">YEAR <u>  </u> WEEK <u>  </u></p> <p>TYCO PART NUMBER      DATE CODE (e.g. 0625)</p> <p style="text-align: center;"> -----        ----- </p> <p style="text-align: center;"> XXXXXXXX-X        XXXX </p>																																						
<p>5. ALL DIMENSIONS SHOWN ACROSS A CENTERLINE (⊥) SHALL BE CENTRALIZED WITHIN THE TOLERANCE INDICATED FOR THAT DIMENSION.</p> <p>4. A REFERENCE DIMENSION (XXX) IS WITHOUT TOLERANCE AND USED FOR INFORMATION PURPOSE ONLY.</p> <p><b>3.</b> RECOMMENDED MOUNTING HARDWARE: TO BE ORDERED SEPARATELY.</p> <ul style="list-style-type: none"> <li>- FOR PANEL MOUNTING, USE <ul style="list-style-type: none"> <li>1650402-1: SHOULDER SCREW, #8-32</li> <li>1650106-1: SHOULDER SCREW, #6-32</li> <li>1650589-1: SHOULDER SCREW, M4X0.7</li> </ul> </li> <li>- FOR PCB MOUNTING, USE COMMERCIALY AVAILABLE SCREW AND WASHER (IF REQUIRED).</li> </ul>																																						
<p>2. MATERIALS:</p> <p style="padding-left: 40px;">HOUSING: THERMOPLASTIC, GLASS REINFORCED, COLOR-BLACK UL94V-0 FLAMMABILITY RATED.</p> <p style="padding-left: 40px;">RETENTION CLIP: COPPER ALLOY OR STAINLESS STEEL</p> <p>1. PART NUMBER CHANGES AND OR DESIGN CHANGES AFFECTING ITEM INTERCHANGEABILITY REQUIRE PRIOR ELCON APPROVAL AND AUTHORIZATION BY REVISION TO THIS DRAWING.</p> <p>NOTES: UNLESS OTHERWISE SPECIFIED</p>																																						
<table border="1" style="width:100%; border-collapse: collapse;"> <tr> <td style="width:15%; text-align: center;"> <small>INCH MM</small> OR INCH (MM)  </td> <td style="width:15%;">DRAWN HA NGUYEN</td> <td style="width:15%;">DATE 03/04/06</td> <td style="width:55%; text-align: center;"> <table border="1" style="width:100%; border-collapse: collapse;"> <tr> <td style="width:50%;">1648111-1</td> <td style="width:50%;">AS SHOWN</td> </tr> <tr> <td style="width:50%;">PART NUMBER</td> <td style="width:50%;">DESCRIPTION</td> </tr> </table> </td> </tr> <tr> <td style="text-align: center;">THIRD ANGLE PROJECTION</td> <td>CHECKED</td> <td></td> <td rowspan="3" style="text-align: center; vertical-align: middle;">  Tyco Electronics Corporation Menlo Park, Ca 94025  </td> </tr> <tr> <td style="text-align: center;">UNLESS OTHERWISE SPECIFIED DIMENSIONS ARE IN INCHES (METRIC)</td> <td>APPROVED</td> <td></td> </tr> <tr> <td style="text-align: center;">TOLERANCES</td> <td>APPROVED</td> <td></td> </tr> <tr> <td>ANGLES ± .5°</td> <td>STEVE FLICKINGER</td> <td>03/04/06</td> <td rowspan="2" style="text-align: center; vertical-align: middle;"> <table border="1" style="width:100%; border-collapse: collapse;"> <tr> <td style="width:10%;">SIZE</td> <td style="width:40%;">DWG NUMBER</td> <td style="width:10%;">REV.</td> </tr> <tr> <td style="text-align: center;">B</td> <td style="text-align: center;">C- 1648111</td> <td style="text-align: center;">A</td> </tr> </table> </td> </tr> <tr> <td>DECIMALS .XXX ± .010 (.25) .XX ± .02 (.3)</td> <td>DCA APPROVED HA NGUYEN</td> <td>03/04/06</td> </tr> <tr> <td></td> <td>ACAD FILE NUMBER</td> <td>C1648111A.DWG</td> <td style="text-align: right;">DWG SCALE 1=1 SH 1 OF 3</td> </tr> </table>				<small>INCH MM</small> OR INCH (MM) 	DRAWN HA NGUYEN	DATE 03/04/06	<table border="1" style="width:100%; border-collapse: collapse;"> <tr> <td style="width:50%;">1648111-1</td> <td style="width:50%;">AS SHOWN</td> </tr> <tr> <td style="width:50%;">PART NUMBER</td> <td style="width:50%;">DESCRIPTION</td> </tr> </table>	1648111-1	AS SHOWN	PART NUMBER	DESCRIPTION	THIRD ANGLE PROJECTION	CHECKED		Tyco Electronics Corporation Menlo Park, Ca 94025	UNLESS OTHERWISE SPECIFIED DIMENSIONS ARE IN INCHES (METRIC)	APPROVED		TOLERANCES	APPROVED		ANGLES ± .5°	STEVE FLICKINGER	03/04/06	<table border="1" style="width:100%; border-collapse: collapse;"> <tr> <td style="width:10%;">SIZE</td> <td style="width:40%;">DWG NUMBER</td> <td style="width:10%;">REV.</td> </tr> <tr> <td style="text-align: center;">B</td> <td style="text-align: center;">C- 1648111</td> <td style="text-align: center;">A</td> </tr> </table>	SIZE	DWG NUMBER	REV.	B	C- 1648111	A	DECIMALS .XXX ± .010 (.25) .XX ± .02 (.3)	DCA APPROVED HA NGUYEN	03/04/06		ACAD FILE NUMBER	C1648111A.DWG	DWG SCALE 1=1 SH 1 OF 3
<small>INCH MM</small> OR INCH (MM) 	DRAWN HA NGUYEN	DATE 03/04/06	<table border="1" style="width:100%; border-collapse: collapse;"> <tr> <td style="width:50%;">1648111-1</td> <td style="width:50%;">AS SHOWN</td> </tr> <tr> <td style="width:50%;">PART NUMBER</td> <td style="width:50%;">DESCRIPTION</td> </tr> </table>	1648111-1	AS SHOWN	PART NUMBER	DESCRIPTION																															
1648111-1	AS SHOWN																																					
PART NUMBER	DESCRIPTION																																					
THIRD ANGLE PROJECTION	CHECKED		Tyco Electronics Corporation Menlo Park, Ca 94025																																			
UNLESS OTHERWISE SPECIFIED DIMENSIONS ARE IN INCHES (METRIC)	APPROVED																																					
TOLERANCES	APPROVED																																					
ANGLES ± .5°	STEVE FLICKINGER	03/04/06	<table border="1" style="width:100%; border-collapse: collapse;"> <tr> <td style="width:10%;">SIZE</td> <td style="width:40%;">DWG NUMBER</td> <td style="width:10%;">REV.</td> </tr> <tr> <td style="text-align: center;">B</td> <td style="text-align: center;">C- 1648111</td> <td style="text-align: center;">A</td> </tr> </table>	SIZE	DWG NUMBER	REV.	B	C- 1648111	A																													
SIZE	DWG NUMBER	REV.																																				
B	C- 1648111	A																																				
DECIMALS .XXX ± .010 (.25) .XX ± .02 (.3)	DCA APPROVED HA NGUYEN	03/04/06																																				
	ACAD FILE NUMBER	C1648111A.DWG	DWG SCALE 1=1 SH 1 OF 3																																			
4	3	2	1																																			



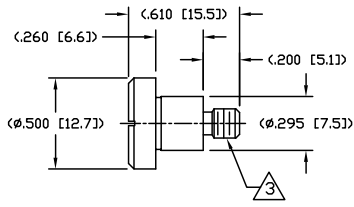
INCH OR INCH (MM) THIRD ANGLE PROJECTION UNLESS OTHERWISE SPECIFIED DIMENSIONS ARE IN INCHES (METRIC) TOLERANCES ANGLES ± .5° DECIMALS .XXX ± .010 (.25) .XX ± .02 (.3)	DRAWN HA NGUYEN	DATE 03/04/06	Tyco Electronics Corporation Menlo Park, Ca 94025	
	CHECKED	APPROVED STEVE FLICKINGER DCA APPROVED HA NGUYEN	APPROVED 03/04/06	TITLE CONNECTOR, PIN HOUSING #16, #20, #16 CONFIGURATION MINI DRAWER
	ACAD FILE NUMBER C1648111A.DWG	DWG NUMBER B	SIZE C- 1648111	DWG SCALE 1=1 SH 2 OF 3

This drawing involves proprietary design rights of Tyco Electronics Corporation, and all design, manufacture, reproduction, use and sale rights regarding the same are expressly reserved. It is submitted for a specific purpose and the recipient by accepting this drawing, assumes custody and control and agrees to take reasonable precautions: (a) that this drawing will not be copied and reproduced in whole or in part, or its contents, revealed in any manner, or in any form, except in most (b) purpose for which it was delivered and (c) that any special features peculiar to this design will not be incorporated in other projects without the expressed written permission of Tyco Electronics Corporation.

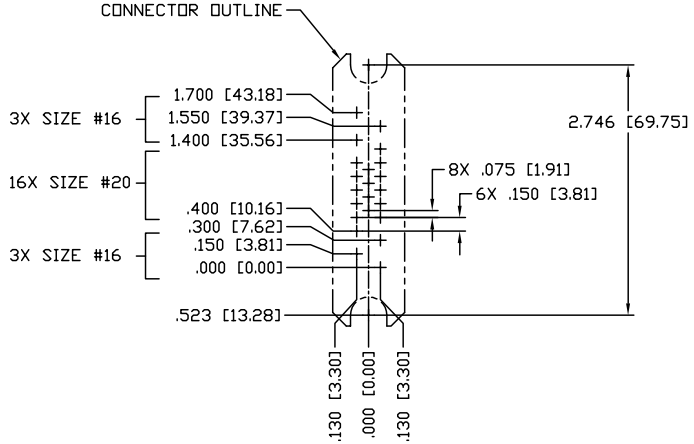
REVISIONS			
EC	REV	DESCRIPTION	DATE
		SEE SHEET 1	



RECOMMENDED PANEL CUTOUT  
AS VIEWED FROM CONNECTOR MOUNTING SIDE  
(FRONT VIEW)



SHOULDER SCREW  
SCALE 2:1  
SHOWN FOR REFERENCE ONLY



CONNECTOR OUTLINE  
CONTACT LAYOUT  
AS VIEWED FROM CONNECTOR MOUNTING SIDE  
(FRONT VIEW)

INCH MM THIRD ANGLE PROJECTION UNLESS OTHERWISE SPECIFIED DIMENSIONS ARE IN INCHES (METRIC)	DRAWN HA NGUYEN	DATE 03/04/06	Tyco Electronics Corporation Menlo Park, Ca 94025 	TITLE USER INFORMATION RECOMMENDED PANEL CUTOUT AND CONTACT LAYOUT
	CHECKED	APPROVED STEVE FLICKINGER		
TOLERANCES ANGLES $\pm .5^\circ$ DECIMALS .XXX $\pm .010 (.25)$ .XX $\pm .02 (.3)$	APPROVED DCA APPROVED HA NGUYEN	DATE 03/04/06	SIZE B	DWG NUMBER C- 1648111
	ACAD FILE NUMBER C1648111A.DWG		DWG SCALE 1=1	REV. A