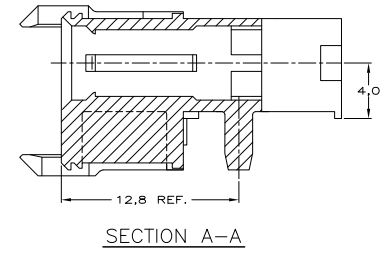
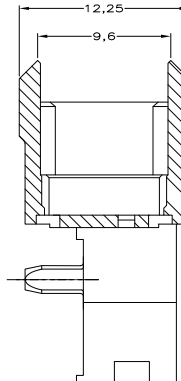
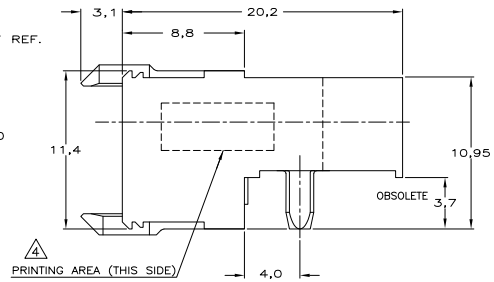
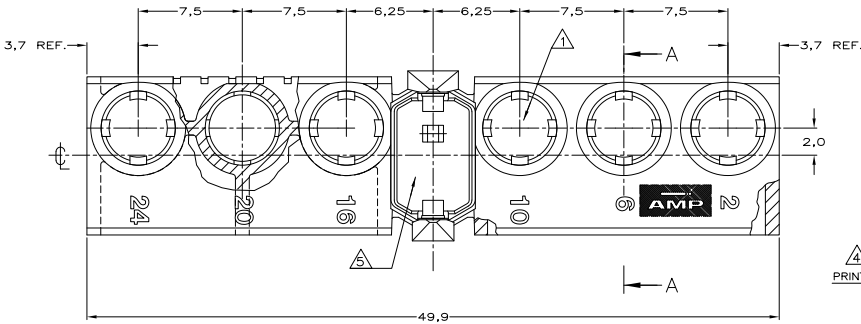


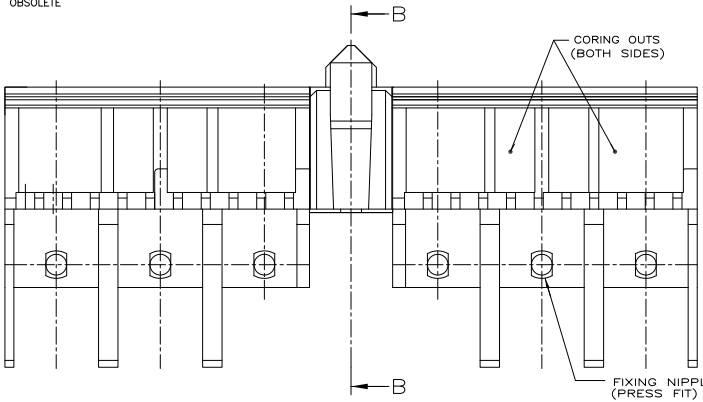
DO NOT SCALE
DIMENSIONS IN mm

METRIC

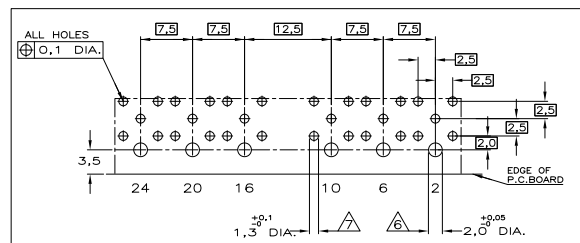


SECTION A-A

SECTION B-B



- NOTES:**
- △ CONTACT CAVITIES SUITABLE FOR 4.8 DIA. HIGH CURRENT, HIGH FREQUENCY OR FIBRE OPTIC CONTACTS AS PER DIN 41626 (SEE ALSO NOTE 6).
 - △ MATERIAL HOUSING : GREY GLASSFILLED POLYESTER (PBT).
 - △ MATERIAL HOUSING : GREY GLASSFILLED POLYMER (PCT).
 - △ CONNECTOR PRINTED WITH PARTNUMBER AND DATECODE.
 - △ AREA RESERVED FOR KEYING PART, BASIC P/N 100526.
 - △ NOT PLATED-THROUGH HOLES (6x).
 - △ 1,3 DIA. PLATED-THROUGH HOLES (30x) CAN BE OMITTED IF SPECIAL CONTACTS WITH CABLE CONNECTION OR FIBRE OPTIC CONTACTS ARE USED.
 - △ OBSOLETE PARTS: OBSOLETE CIS STREAMLINING PER D.RENAUD/D.SINISI



RECOMMENDED PCB-HOLE LAY-OUT
COMPONENT SIDE

PRELIMINARY

△ OBSOLETE	-	△	100746-3
	FINISH	MATERIAL	PARTNUMBER
-	-	-	100746-1
CUSTOMER DRAWING FOR REFERENCE ONLY WILL NOT BE UPDATED			
© COPYRIGHT 1993 BY AMP HOLLAND B.V.			
ALL INTERNATIONAL RIGHTS RESERVED. AMP PRODUCTS MAY BE COVERED BY U.S. AND FOREIGN AND/OR PATENTS PENDING.			
THIS DRAWING IS UNPUBLISHED			
RELEASED FOR PUBLICATION			
B1	ECO-09-021826	KK	AEQ
B	EH-0720-95	E.D.	B.M.
A	H-9585	B.M.	B.M.
LTR. REVISION RECORD		DR.	CHK. DATE
DR.:	SMEUNSEN	CHK.:	BMOON
DATE:	12 MAR 92	APP.:	LVSOST
		DATE:	13 APR 1992
DWG.No. C-100746		REV.LTR.	SHEET
		B1	1 of 1