

4

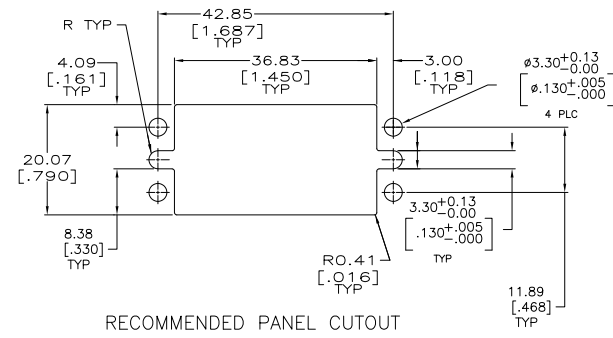
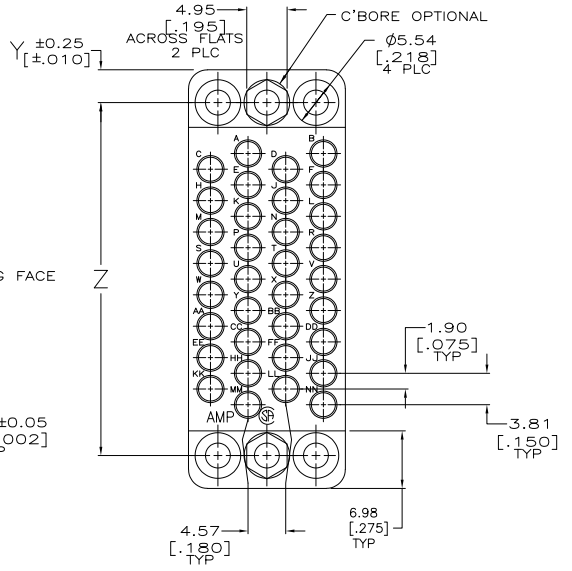
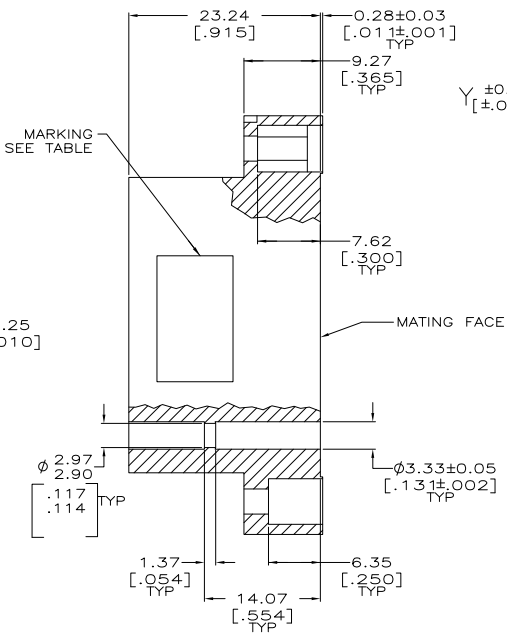
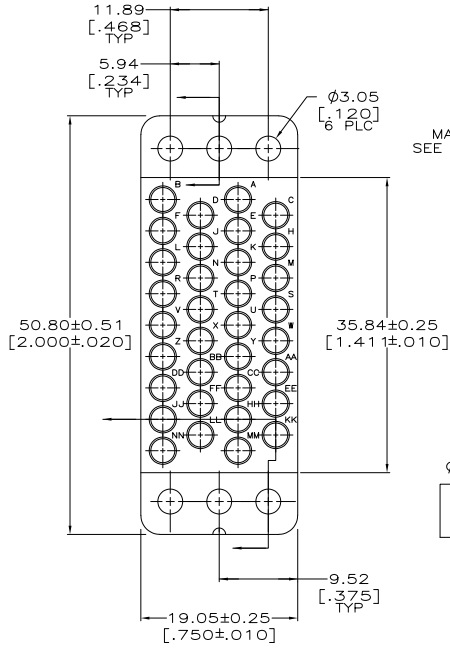
3

2

1

THIS DRAWING IS UNPUBLISHED. RELEASED FOR PUBLICATION. ALL RIGHTS RESERVED.

LOC	DIST	REVISIONS			
F	LNK	DESCRIPTION	DATE	BY	APPD
AC2		REVISED PER ECO-11-004917	11MAR11	RK	HMR



- △ PHENOLIC PER MIL-M-14, TYPE CFG, BLACK.
- △ DIALLYL PHTHALATE PER MIL-M-14, TYPE SDG-F, BLUE.
- △ AMP PART NO THIS AREA. DATE CODE AT AMP'S OPTION.
- △ MARK KS 21303, L10.
- 5. WHEN MATING WITH BLOCK 201357, ACCOMMODATES TYPE II, TYPE III+ OR TYPE VI #16 PIN OR SOCKET CONTACTS.
- △ OBSOLETE PARTS: OBSOLETE CIS STREAMLINING PER D.RENAUD/D.SINISI

△	43.08 [1.696]	3.86 [0.152]	△	△	△	-200838-9
	43.08 [1.696]	3.86 [0.152]	△	△	△	200838-3
	42.82 [1.686]	3.99 [0.157]	△	△	△	200838-2
	Z	Y	MARKING	MATERIAL	PART NUMBER	

THIS DRAWING IS A CONTROLLED DOCUMENT.

DIMENSIONS: mm [INCHES]	DESIGNED BY: C. REISNYDER 07 DEC 98	DATE: 07 DEC 98	 TE Connectivity
	CHK: B. STONE 29 FEB 98	DATE: 29 FEB 98	
	DRAWN BY: G. STEINHAUER	DATE: 20 MAR 98	BLOCK, FEMALE, 34 PLACE MINIATURE RECTANGULAR, M SERIES
	PRODUCT SPEC: ---	APPLICATION SPEC: ---	
MATERIAL: SEE TABLE	FINISH: ---	WEIGHT: ---	SIZE: A2 CASE CODE: 00779 DRAWING NO: C=200838 RESTRICTED TO: ---
			CUSTOMER DRAWING SCALE: 3:1 SHEET: 1 of 1 REV: AC2