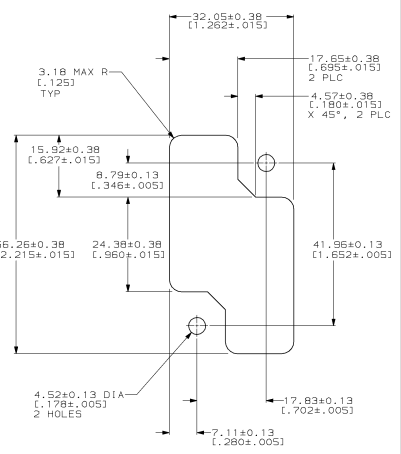
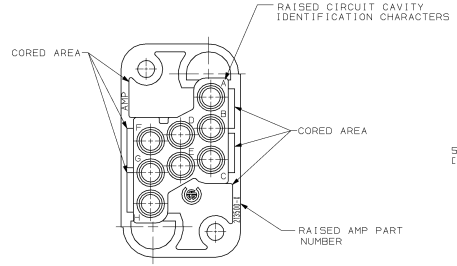
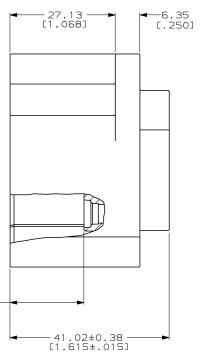
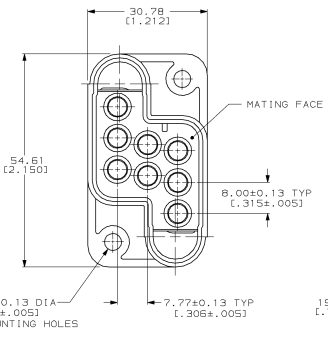


THIS DRAWING IS UNCLASSIFIED
 REVISIONS FOR PUBLICATION
 BY AMP INCORPORATED, ALL RIGHTS RESERVED

REV	DATE	DESCRIPTION	BY	CHK	APP
E	REV PER EC 0020-1422-94		86 MR 98	-	-
F	ADDED -3		86 MR 98	BC	MM
F	PER EC 0020-136-96		86 MR 98	BC	MM



RECOMMENDED PANEL CUTOUT

1. THIS HOUSING ACCEPTS (B) POWER SIZE 8, POWERBAND, OR COAXIAL SIZE 8 PIN CONTACTS.
2. DIMENSIONS IN BRACKETS ARE IN INCHES.

BLUE	213500-3
BLACK	213500-1
COLOR	PART NO

THIS DRAWING IS A CONTROLLED DOCUMENT. DATE: 11-28-97

DESIGNED BY: J. J. LAYNE	DATE: 11-28-97
DRAWN BY: J. J. LAYNE	DATE: 11-28-97
CHECKED BY: J. J. LAYNE	DATE: 11-28-97
APPROVED BY: J. J. LAYNE	DATE: 11-28-97

AMP Incorporated
 Harrisburg, PA 17105-3606

HOUSING, RECEPTACLE, DRAWER CONNECTOR, 8 POSITION, METRIMATE

DATE CODE: 00779 DRAWING NO: 213500

POLYESTER, GLASS FIBER REINFORCED, FLAME RETARDANT

CUSTOMER DRAWING

REV: 2.1 DATE: 11-28-97