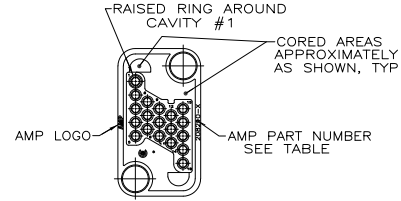
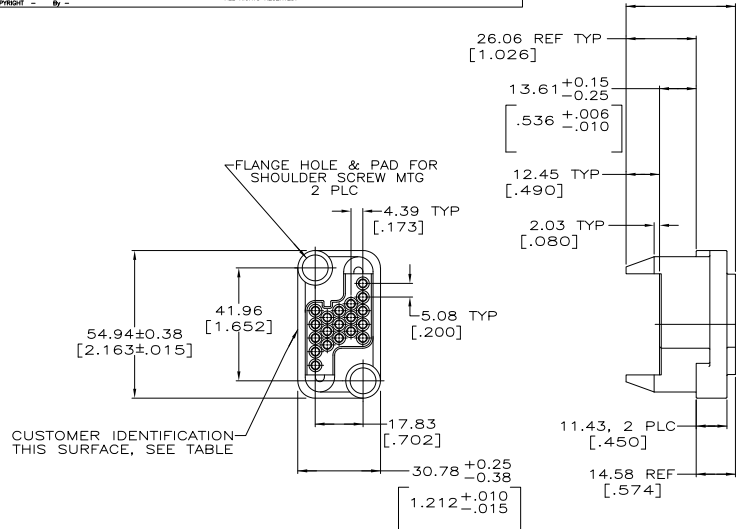
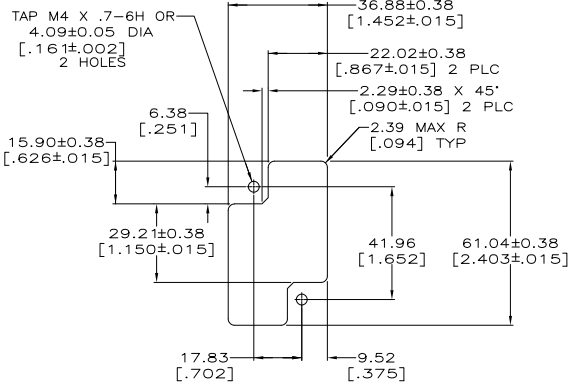


THIS DRAWING IS UNPUBLISHED. RELEASED FOR PUBLICATION. ALL RIGHTS RESERVED.

LOC		DIST		REVISIONS			
BD	37	PL	LT	DESCRIPTION	DATE	DRW	APPD
		K1		REVISED PER ECO-11-004917	11MAR11	RK	HMR



- 208210 MATES WITH 208209.
 - MOUNTING SCREW INFORMATION SEE 208211.
- ⚠ 208210-1 WILL BE MOLDED WITH PART NUMBER 208210-2 SINCE IT IS AN INK STAMPED VERSION OF 208210-2.



MOLDED PART NO	CUST IDENT	MATERIAL	PART NO
208210-5	-	POLYESTER, BLUE	208210-5
208210-2	-	POLYESTER, BLACK	208210-2
208210-2	113P10188	POLYESTER, BLACK	208210-1

THIS DRAWING IS A CONTROLLED DOCUMENT.		DRW: R. SHIREY 09/05/91	TE Connectivity SOCKET HOUSING, 19 POSN, METRIMATE	
		CHK: R. STONE 09/23/91		
DIMENSIONS: (MM/INCHES)		APD: A. TRAVIS 09/23/91	RESTRICTED TO	
TOLERANCES UNLESS OTHERWISE SPECIFIED:		PRODUCT SPEC: -	SIZE: A2	
0 PLC ± -		APPLICATION SPEC: 114-10039	CAGE CODE: 00779	
1 PLC ± -		WEIGHT: -	DRAWING NO: 208210	
2 PLC ± 0.13 [005]		FINISH: -	SCALE: 1:1	
3 PLC ± -		ANGLE: -	SHEET: 1 of 1	
4 PLC ± -		CUSTOMER DRAWING	REV: K1	

1491- (2/11)

208210

A